



KONIT

lighting

2026
product catalogue

INDEX

03
12

OPAL base / Recessed Downlight
OPAL conic / Recessed Downlight
OPAL flat / Recessed Downlight



13
24

OPAL base / Surface Mounted Luminaire
OPAL flat / Surface Mounted Luminaire
OPAL base / Pendant Luminaire
OPAL flat / Pendant Luminaire
OPAL deco / Pendant Luminaire



25
27

MODULUS
MODULUS / Recessed Mounted Spot
MODULUS / Recessed Mounted Trimless, Surface Mounted Spot



28

CALEO / Track Light



29
31

UNIQ eco / Recessed Mounted Luminaire
UNIQ eco / Surface Mounted, Pendant Luminaire
UNIQ hijyen / Recessed Mounted Luminaire



32
37

ZEN S / Ledbar
ZEN S / Tube
ZEN M / Linear Recessed Luminaire
ZEN M / Linear Surface Mounted, Pendant Luminaire
ZEN M louvre / Linear Surface Mounted, Pendant Luminaire
REKTA / Linear Surface Mounted, Pendant Luminaire



38
40

ORBIC / Pendant Luminaire
GLOS / Surface Mounted, Pendant Luminaire
GLOS / Recessed Luminaire
GLOS V / Surface Mounted, Pendant Luminaire
ORBIC V / Surface Mounted, Pendant Luminaire



41

LED ETANJ

























42

EMERGENCY LIGHTING UNITS



Specification Icons

 LED Lighting Luminaire	 Recessed Luminaire	 Grounding Made Protected (Class 1 Ground)
 Indoor Lighting Luminaire	 Linear Recessed Luminaire	 Non-Insulated Protection(Class 2 Ground)
 Minimum 30.000 Hours Life Guarantee	 Recessed Spot Luminaire	 Low-Voltage Insulated (Class 3 Ground)
 Minimum 50.000 Hours Life Guarantee	 Surface Mounted Luminaire	 Recessed Luminaires Suitable for Mounting in Normally Flammable Surfaces
 IP20 Protection Class	 Linear Surface Mounted Luminaire	
 Back IP20 Front IP44 Protection Class	 Suspended Luminaire	
 IP44 Protection Class	 Linear Suspended Luminaire	
 IP54 Protection Class	 Track Light Luminaire	
 IP54 Luminaire Protection Class IP20 Driver Protection Class		
 IP65 Protection Class		

OPAL Recessed Downlight base



Various Colour With RAL Code



BODY : 30W/20W



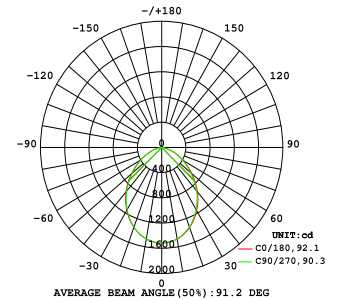
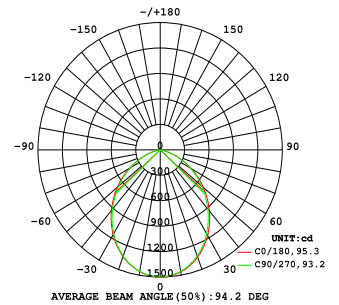
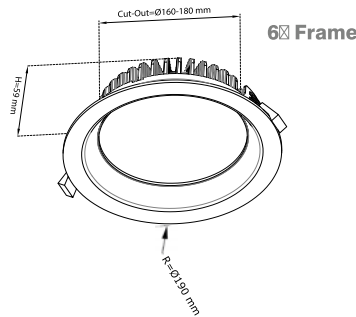
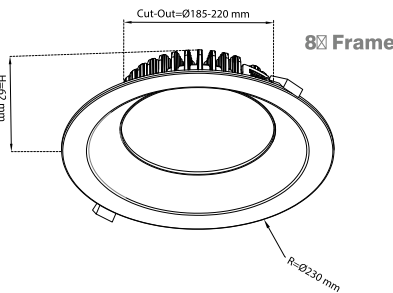
FRAME : 8 \square / 6 \square



DOWNLIGHT

30W 8 \square / 20W 8 \square

30W 6 \square / 20W 6 \square



Regular Feature

- Aluminum Injection Heatsink
- Changeable Metal Frame
- High Diffusion and Transmission Pyramid Surface Diffuser
- Pushbutton Terminal Block
- High Performance LED
- MacAdam 3 Steps Colour Tolerance
- High Power Factor, Low TDH Driver
- Halogen Free Cable

Optional Feature

- 8 \square or 6 \square Frame
- Colour Option According RAL Code
- UGR < 19 Diffuser
- DDP and Other Diffuser Option
- Driver Brands on Demand
- DALI and Other DIM Driver Compatibility
- Emergency Kit

Luminaire		
Rated Power	30W	20W
Power Consumption	27,5W	20W
Input Current	0.3A Max	0.2A Max
Input Voltage	220-240 Vac	
Luminaire Luminous Flux	3298 lm*	2286 lm*
Luminaire Efficiency	~120 lm/W	~115 lm/W
CRI (Ra)	>80	
Beam Angle	90°	
Light Colour Options	2700K 3000K 4000K 6500K	

* Luminous Flux Is Measured Armature Output Flux Based On Osram Duris E5 4000K

Regular Frame Colour

- RAL 9003 Mat White
- RAL 7016 Mat Anthracite
- RAL 9006 Mat Grey
- RAL 9005 Mat Black
- Colour Option With RAL Code are Available.

Driver **		
Power	30W	20W
Output Voltage	25-42Vdc	25-40 Vdc
Drive Current	700 mA	500 mA
Power Factor (PF)	≥0.95	≥0.90
Efficiency	≥84	≥85
TDH	≤20	≤18
Surge Level	1 KV	

** T able content given according Lifud Flicker-Free Driver.

- Different driver brand can be used according project.

Packing

Box Quantity: 24
 Box Weight : 23 kg (8 \square Frame)
 21 kg (6 \square Frame)

OPAL

base Recessed Downlight



Various Colour With RAL Code



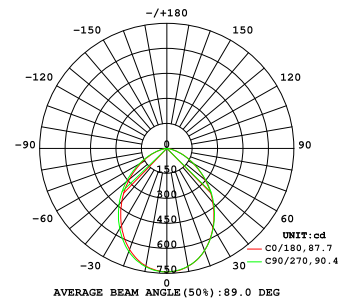
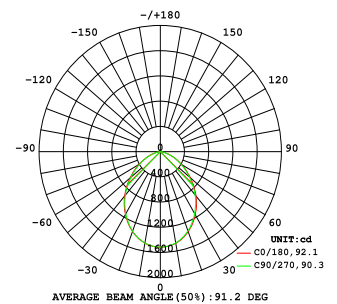
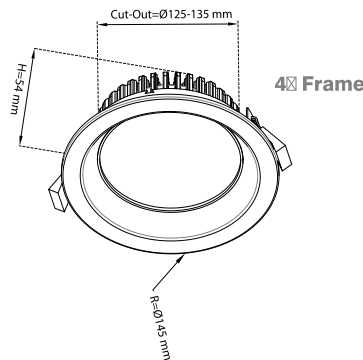
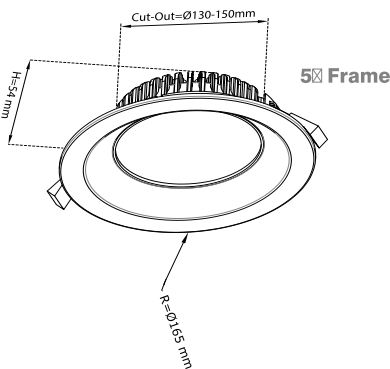
BODY : 15W/12W

Frame : 5 \square /4 \square

DOWNLIGHT

15W 5 \square / 12W 5 \square

15W 4 \square / 12W 4 \square



Regular Feature

- Aluminum Injection Heatsink
- Changeable Metal Frame
- High Diffusion and Transmission Pyramid Surface Diffuser
- Pushbutton Terminal Block
- High Performance LED
- MacAdam 3 Steps Colour Tolerance
- High Power Factor, Low TDH Driver
- Halogen Free Cable

Optional Feature

- 5 \square or 4 \square Frame
- Colour Option According RAL Code
- UGR < 19 Diffuser
- DDP and Other Diffuser Option
- Driver Brands on Demand
- DALI and Other DIM Driver Compability
- Emergency Kit

Luminaire		
Rated Power	15W	12W
Power Consumption	14W	11W
Input Current	0.1A Max	
Input Voltage	220-240 Vac	
Luminaire Luminous Flux	1525 lm*	1200 lm*
Luminaire Efficiency	~110 lm/W	
CRI (Ra)	>80	
Beam Angle	90°	

Light Colour Options 2700K 3000K 4000K 6500K

* Luminous Flux Is Measured Armature Output Flux Based On Osram Duris E5 4000K

Driver **		
Power	15W	12W
Output Voltage	25-40Vdc	
Drive Current	350 mA	300 mA
Power Factor (PF)	≥0.90	
Efficiency	≥83	
TDH	≤18	
Surge Level	1 KV	

** T able content given according Lifud Flicker-Free Driver.

- Different driver brand can be used according project.

Regular Frame Colour

- RAL 9003 Mat White
- RAL 7016 Mat Anthracite
- RAL 9006 Mat Grey
- RAL 9005 Mat Black
- Colour Option With RAL Code are Available

Packing

Box Quantity : 36
 Box Weight : 20 kg (5 \square Frame)
 19 kg (4 \square Frame)

OPAL

base Recessed Downlight



Various Colour With RAL Code



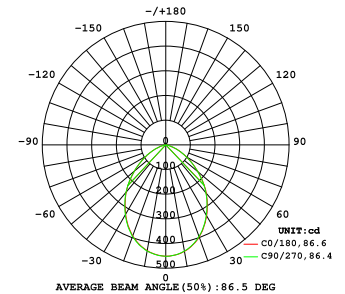
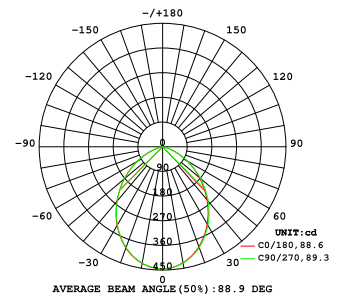
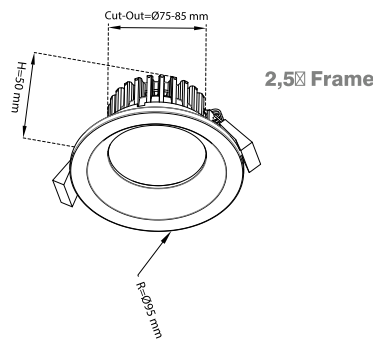
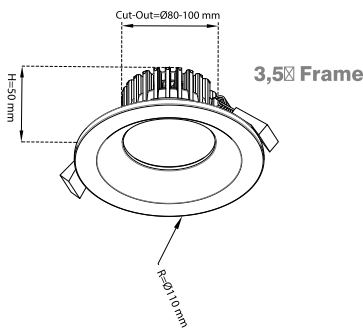
BODY : 10W/8W

Frame : 3,5 / 2,5

DOWNLIGHT

10W 3,5 / 8W 3,5

10W 2,5 / 8W 2,5



Regular Feature

- Aluminum Injection Heatsink
- Changeable Metal Frame
- High Diffusion and Transmission Pyramid Surface Diffuser
- Pushbutton Terminal Block
- High Performance LED
- MacAdam 3 Steps Colour Tolerance
- High Power Factor, Low TDH Driver
- Halogen Free Cable

Optional Feature

- 3,5 or 2,5 Frame
- Colour Option According RAL Code
- UGR < 19 Diffuser
- DDP and Other Diffuser Option
- Driver Brands on Demand
- DALI and Other DIM Driver Compability
- Emergency Kit

Luminaire		
Rated Power	10W	8W
Power Consumption	9W	5W
Input Current	0.1A Max	
Input Voltage	220-240 Vac	
Luminaire Luminous Flux	873 lm*	428 lm*
Luminaire Efficiency	~95 lm/W	~85 lm/W
CRI (Ra)	>80	
Beam Angle	90°	
Light Colour Options	2700K 3000K 4000K 6500K	

* Luminous Flux Is Measured Armature Output Flux Based On Osram Duris E5 4000K

Driver **		
Power	10W	8W
Output Voltage	25-40Vdc	
Drive Current	250 mA	200 mA
Power Factor (PF)	≥0.90	
Efficiency	≥83	
TDH	≤18	
Surge Level	1 KV	

** T able content given according Lifud Flicker-Free Driver.

- Different driver brand can be used according project.

Regular Frame Colour

- RAL 9003 Mat White
- RAL 7016 Mat Anthracite
- RAL 9006 Mat Grey
- RAL 9005 Mat Black
- Colour Option With RAL Code are Available

Packing

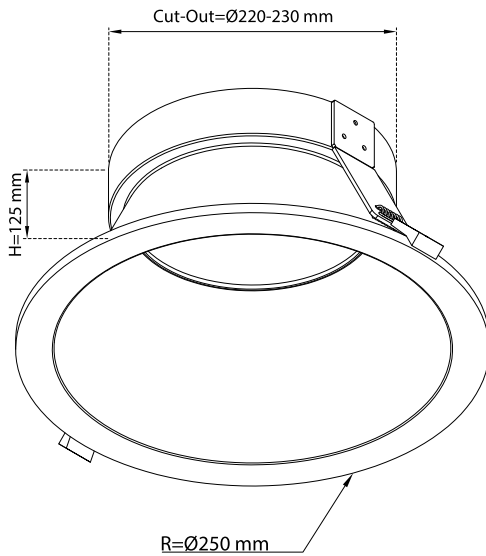
Box Quantity: 60
 Box Weight : 19 kg (3,5 Frame)
 19 kg (2,5 Frame)

OPAL conic

Recessed Downlight



Various Colour With RAL Code

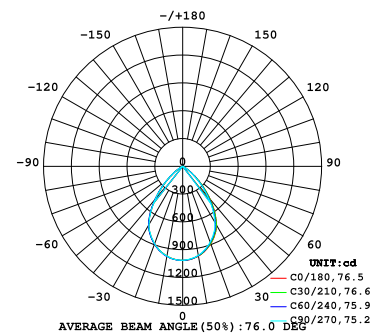


✓ Regular Feature

- Aluminium Plaster Luminaire
- Aluminium Injection Heatsink
- High Diffusion and Transmission Pyramid Surface Diffuser
- Pushbutton Terminal Block
- High Performance LED
- MacAdam 3 Steps Colour Tolerance
- High Power Factor, Low TDH Driver
- Halogen Free Cable

❓ Optional Feature

- Colour Option According RAL Code
- UGR < 19 Diffuser
- DDP and Other Diffuser Option
- Driver Brands on Demand
- DALI and Other DIM Driver Compability
- Emergency Kit



Luminaire		
Rated Power	30W	20W
Power Consumption	27,5W	20W
Input Current	0.3A Max	0.2A Max
Input Voltage	220-240 Vac	
Luminaire Luminous Flux	3298 lm*	2286 lm*
Luminaire Efficiency	~120 lm/W	~115 lm/W
CRI (Ra)	>80	
Beam Angle	75°	

Light Colour Options 2700K 3000K 4000K 6500K

* Luminous Flux Is Measured Armature Output Flux Based On Osram Duris E5 4000K

🌈 Regular Frame Colour

- RAL 9003 Mat White
- RAL 7016 Mat Anthracite
- RAL 9006 Mat Grey
- RAL 9005 Mat Black
- Colour Option With RAL Code are Available

Driver **		
Power	30W	20W
Output Voltage	25-42Vdc	25-40Vdc
Drive Current	700 mA	500 mA
Power Factor (PF)	≥0.95	≥0.90
Efficiency	≥84	≥85
TDH	≤20	≤18
Surge Level	1 KV	

** T able content given according Lifud Flicker-Free Driver.

- Different driver brand can be used according project.

✓ Packing

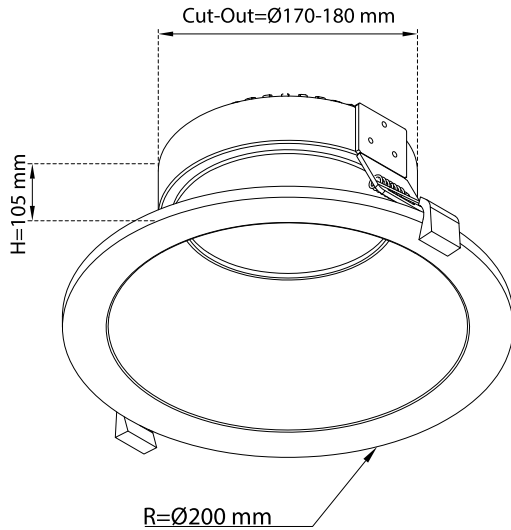
Box Quantity: 8
Box Weight : 8,50 kg

OPAL conic

Recessed Downlight



Various Colour With RAL Code

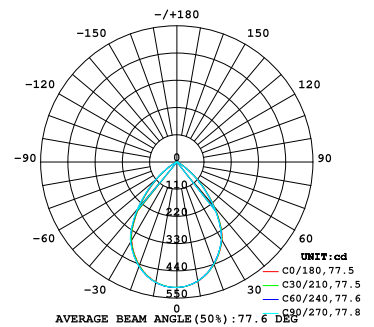


Regular Feature

- Aluminium Plaster Luminaire
- Aluminium Injection Heatsink
- High Diffusion and Transmission Pyramid Surface Diffuser
- Pushbutton Terminal Block
- High Performance LED
- MacAdam 3 Steps Colour Tolerance
- High Power Factor, Low TDH Driver
- Halogen Free Cable

Optional Feature

- Colour Option According RAL Code
- UGR<19 Diffuser
- DDP and Other Diffuser Option
- Driver Brands on Demand
- DALI and Other DIM Driver Compability
- Emergency Kit



Luminaire		
Rated Power	15W	12W
Power Consumption	14W	11W
Input Current	0.1A Max	
Input Voltage	220-240 Vac	
Luminaire Luminous Flux	1525 lm*	1200 lm*
Luminaire Efficiency	~110 lm/W	
CRI (Ra)	>80	
Beam Angle	75°	

Light Colour Options: 2700K, 3000K, 4000K, 6500K

* Luminous Flux Is Measured Armature Output Flux Based On Osram Duris E5 4000K

Regular Frame Colour

- RAL 9003 Mat White
- RAL 7016 Mat Anthracite
- RAL 9006 Mat Grey
- RAL 9005 Mat Black
- Colour Option With RAL Code are Available

Driver **		
Power	15W	12W
Output Voltage	25-40Vdc	
Drive Current	350 mA	300 mA
Power Factor (PF)	≥0.90	
Efficiency	≥83	
TDH	≤18	
Surge Level	1 KV	

** T able content given according Lifud Flicker-Free Driver.

- Different driver brand can be used according project.

Packing

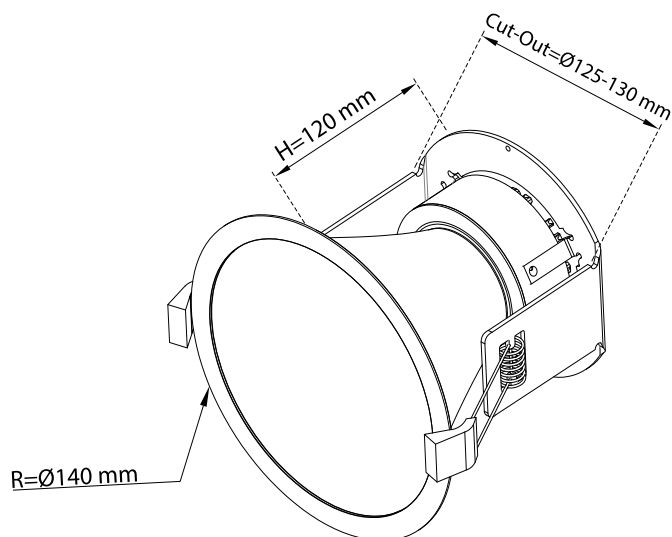
Box Quantity: 16
Box Weight : 11,50 kg

OPAL conic

Recessed Downlight



Various Colour With RAL Code

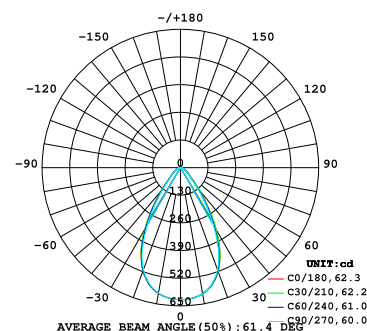


Regular Feature

- Aluminium Plaster + Laser Cut Luminaire
- Aluminium Injection Heatsink
- High Diffusion and Transmission Pyramid Surface Diffuser
- Pushbutton Terminal Block
- High Performance LED
- MacAdam 3 Steps Colour Tolerance
- High Power Factor, Low TDH Driver
- Halogen Free Cable

Optional Feature

- Colour Option According RAL Code
- UGR < 19 Diffuser
- DDP and Other Diffuser Option
- Driver Brands on Demand
- DALI and Other DIM Driver Compatibility
- Emergency Kit



Luminaire

Rated Power	10W	8W
Power Consumption	9W	5W
Input Current	0.1A Max	
Input Voltage	220-240 Vac	
Luminaire Luminous Flux	873 lm*	428 lm*
Luminaire Efficiency	~95 lm/W	~85 lm/W
CRI (Ra)	>80	
Beam Angle	60°	

Light Colour Options 2700K 3000K 4000K 6500K

* Luminous Flux Is Measured Armature Output Flux Based On Osram Duris E5 4000K

Driver **

Power	10W	8W
Output Voltage	25-40Vdc	
Drive Current	250 mA	200 mA
Power Factor (PF)	≥0.90	
Efficiency	≥83	
TDH	≤18	
Surge Level	1 KV	

** T able content given according Lifud Flicker-Free Driver.

- Different driver brand can be used according project.

Regular Frame Colour

- RAL 9003 Mat White
- RAL 7016 Mat Anthracite
- RAL 9006 Mat Grey
- RAL 9005 Mat Black
- Colour Option With RAL Code are Available

Packing

Box Quantity : 24
Box Weight : 12,50 kg

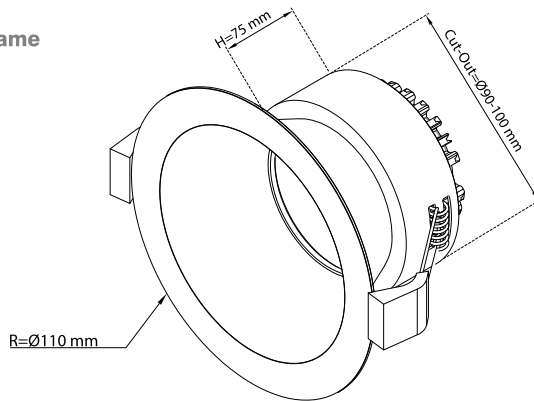
OPAL conic

Recessed Downlight



Various Colour With RAL Code

3,5 Frame



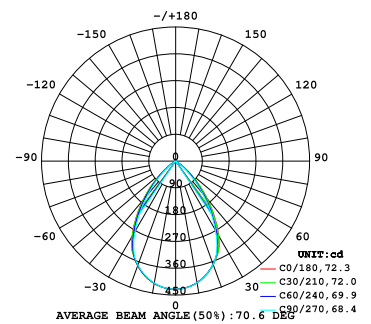
Option : 2,5 Frame R=95mm • Cut-Out =75-85mm • H=75mm

Regular Feature

- Aluminium Plaster Luminaire
- Aluminium Injection Heatsink
- High Diffusion and Transmission Pyramid Surface Diffuser
- Pushbutton Terminal Block
- High Performance LED
- MacAdam 3 Steps Colour Tolerance
- High Power Factor, Low TDH Driver
- Halogen Free Cable

Optional Feature

- Colour Option According RAL Code
- UGR < 19 Diffuser
- DDP and Other Diffuser Option
- Driver Brands on Demand
- DALI and Other DIM Driver Compatibility
- Emergency Kit



Luminaire		
Rated Power	10W	8W
Power Consumption	9W	5W
Input Current	0.1A Max	
Input Voltage	220-240 Vac	
Luminaire Luminous Flux	873 lm*	428 lm*
Luminaire Efficiency	~95 lm/W	~85 lm/W
CRI (Ra)	>80	
Beam Angle	70°	
Light Colour Options	2700K 3000K 4000K 6500K	

* Luminous Flux Is Measured Armature Output Flux Based On Osram Duris E5 4000K

Regular Frame Colour

- RAL 9003 Mat White
- RAL 7016 Mat Anthracite
- RAL 9006 Mat Grey
- RAL 9005 Mat Black
- Colour Option With RAL Code are Available

Driver **		
Power	10W	8W
Output Voltage	25-40Vdc	
Drive Current	250 mA	200 mA
Power Factor (PF)	≥0.90	
Efficiency	≥83	
TDH	≤18	
Surge Level	1 KV	

** T able content given according Lifud Flicker-Free Driver.

- Different driver brand can be used according project.

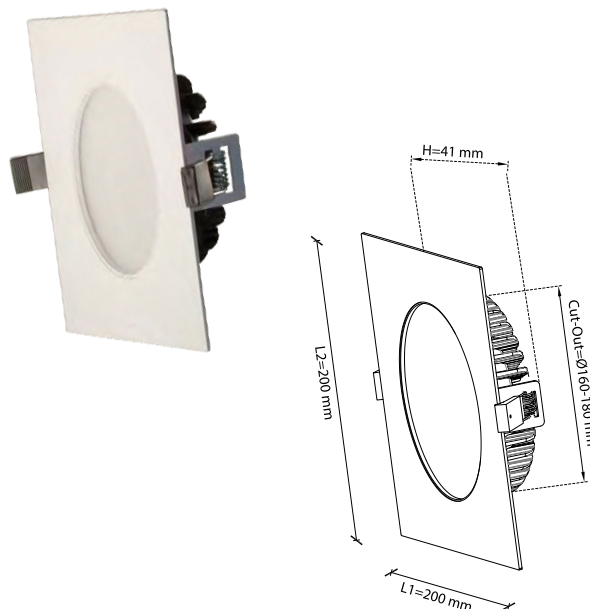
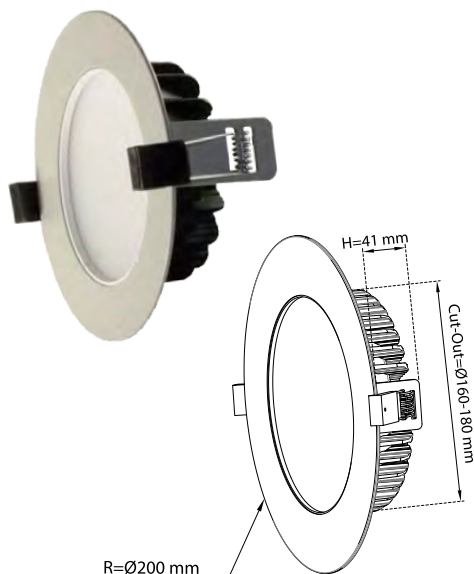
Packing

Box Quantity: 48
Box Weight : 14,00 kg

OPAL Recessed Downlight flat



Various Colour With RAL Code

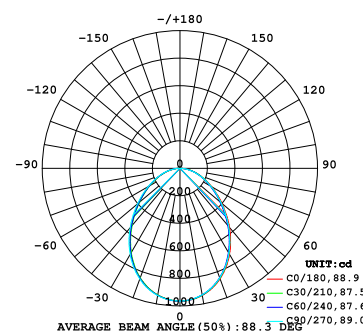


Regular Feature

- Laser Cut Metal Frame
- Aluminium Injection Heatsink
- High Diffusion and Transmission Pyramid Surface Diffuser
- Pushbutton Terminal Block
- High Performance LED
- MacAdam 3 Steps Colour Tolerance
- High Power Factor, Low TDH Driver
- Halogen Free Cable

Optional Feature

- Colour Option According RAL Code
- UGR < 19 Diffuser
- DDP and Other Diffuser Option
- Driver Brands on Demand
- DALI and Other DIM Driver Compatibility
- Emergency Kit



Luminaire		
Rated Power	30W	20W
Power Consumption	27,5W	20W
Input Current	0.3A Max	0.2A Max
Input Voltage	220-240 Vac	
Luminaire Luminous Flux	3298 lm*	2286 lm*
Luminaire Efficiency	~120 lm/W	~115 lm/W
CRI (Ra)	>80	
Beam Angle	85°	
Light Colour Options	2700K 3000K 4000K 6500K	

* Luminous Flux Is Measured Armature Output Flux Based On Osram Duris E5 4000K

Regular Frame Colour

- RAL 9003 Mat White
- RAL 7016 Mat Anthracite
- RAL 9006 Mat Grey
- RAL 9005 Mat Black
- Colour Option With RAL Code are Available

Driver **		
Power	30W	20W
Output Voltage	25-42Vdc	25-40Vdc
Drive Current	700 mA	500 mA
Power Factor (PF)	≥0.95	≥0.90
Efficiency	≥84	≥85
TDH	≤20	≤18
Surge Level	1 KV	

** T able content given according Lifud Flicker-Free Driver.

- Different driver brand can be used according project.

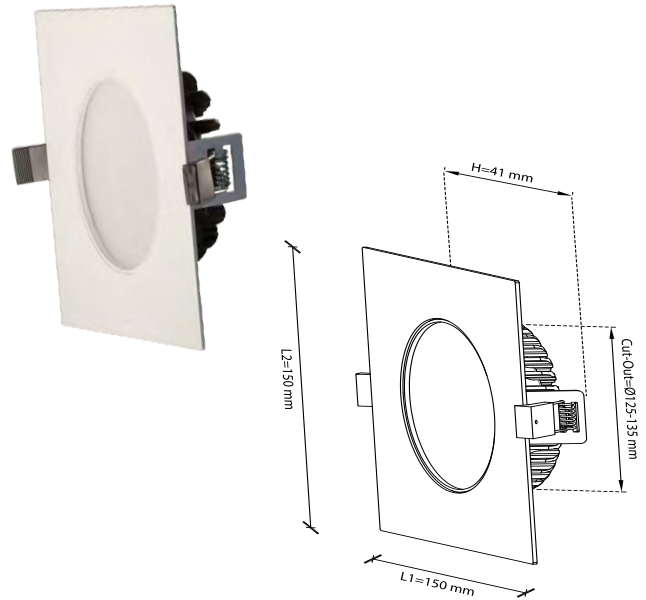
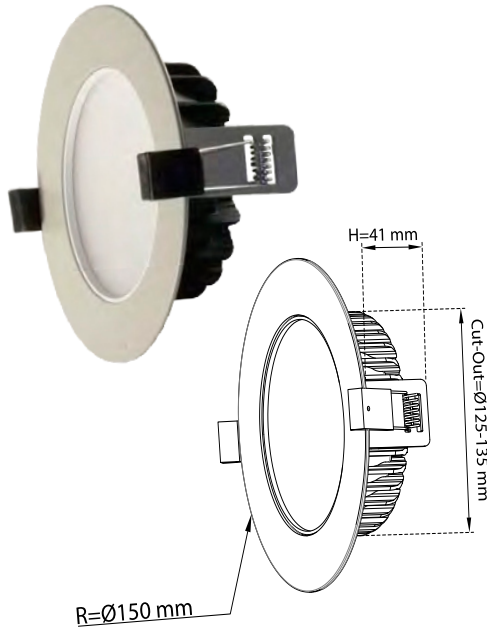
Packing

Box Quantity : 24
 Box Weight : 23,00 kg (Round)
 26,50 kg (Square)

OPAL Recessed Downlight flat



Various Colour With RAL Code

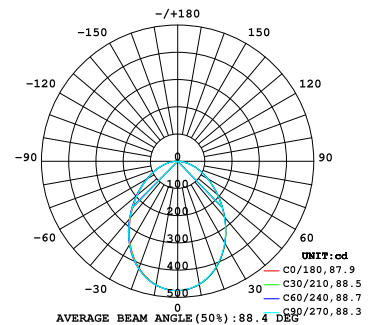


Regular Feature

- Laser Cut Metal Frame
- Aluminium Injection Heatsink
- High Diffusion and Transmission Pyramid Surface Diffuser
- Pushbutton Terminal Block
- High Performance LED
- MacAdam 3 Steps Colour Tolerance
- High Power Factor, Low TDH Driver
- Halogen Free Cable

Optional Feature

- Colour Option According RAL Code
- UGR < 19 Diffuser
- DDP and Other Diffuser Option
- Driver Brands on Demand
- DALI and Other DIM Driver Compatibility
- Emergency Kit



Luminaire		
Rated Power	15W	12W
Power Consumption	14W	11W
Input Current	0.1A Max	
Input Voltage	220-240 Vac	
Luminaire Luminous Flux	1525 lm*	1200 lm*
Luminaire Efficiency	~110 lm/W	
CRI (Ra)	>80	
Beam Angle	85°	
Light Colour Options	2700K 3000K 4000K 6500K	

* Luminous Flux Is Measured Armature Output Flux Based On Osram Duris E5 4000K

Regular Frame Colour

- RAL 9003 Mat White
- RAL 7016 Mat Anthracite
- RAL 9006 Mat Grey
- RAL 9005 Mat Black
- Colour Option With RAL Code are Available

Driver **		
Power	15W	12W
Output Voltage	25-40Vdc	
Drive Current	350 mA	300 mA
Power Factor (PF)	≥0.90	
Efficiency	≥83	
TDH	≤18	
Surge Level	1 KV	

** T able content given according Lifud Flicker-Free Driver.

- Different driver brand can be used according project.

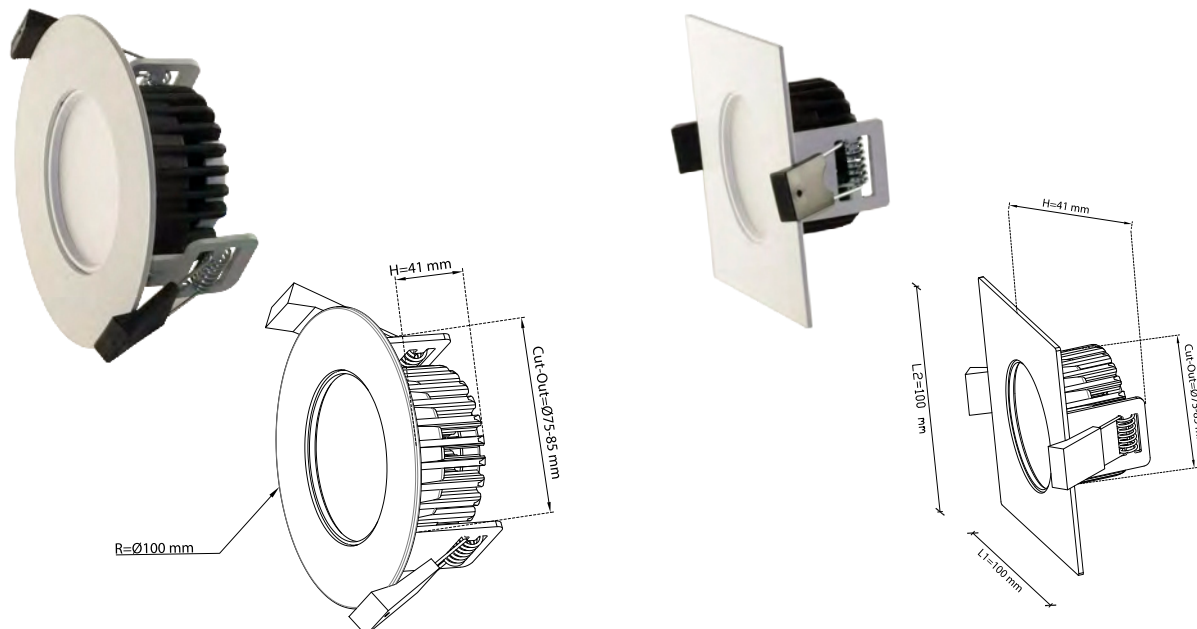
Packing

Box Quantity: 36
 Box Weight : 23,00 kg (Round)
 27,00 kg (Square)

OPAL Recessed Downlight flat



Various Colour With RAL Code

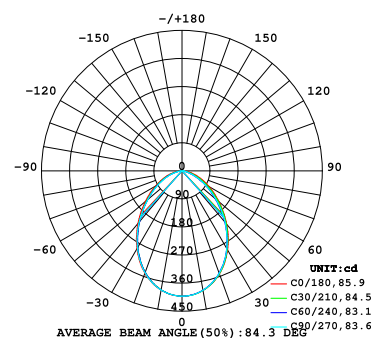


Regular Feature

- Laser Cut Metal Frame
- Aluminium Injection Heatsink
- High Diffusion and Transmission Pyramid Surface Diffuser
- Pushbutton Terminal Block
- High Performance LED
- MacAdam 3 Steps Colour Tolerance
- High Power Factor, Low TDH Driver
- Halogen Free Cable

Optional Feature

- Colour Option According RAL Code
- UGR < 19 Diffuser
- DDP and Other Diffuser Option
- Driver Brands on Demand
- DALI and Other DIM Driver Compatibility
- Emergency Kit



Luminaire		
Rated Power	10W	8W
Power Consumption	9W	5W
Input Current	0.1A Max	
Input Voltage	220-240 Vac	
Luminaire Luminous Flux	873 lm*	428 lm*
Luminaire Efficiency	~95 lm/W	~85 lm/W
CRI (Ra)	>80	
Beam Angle	85°	
Light Colour Options	2700K 3000K 4000K 6500K	

* Luminous Flux Is Measured Armature Output Flux Based On Osram Duris E5 4000K

Regular Frame Colour

- RAL 9003 Mat White
- RAL 7016 Mat Anthracite
- RAL 9006 Mat Grey
- RAL 9005 Mat Black
- Colour Option With RAL Code are Available

Driver **		
Power	10W	8W
Output Voltage	25-40Vdc	
Drive Current	250 mA	200 mA
Power Factor (PF)	≥0.90	
Efficiency	≥83	
TDH	≤18	
Surge Level	1 KV	

** T able content given according Lifud Flicker-Free Driver.

- Different driver brand can be used according project.

Packing

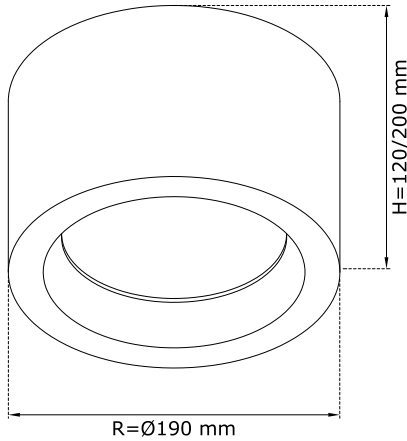
Box Quantity : 60
 Box Weight : 20,00 kg (Round)
 23,00 kg (Square)

OPAL base

Surface Mounted Luminaire



Various Colour With RAL Code

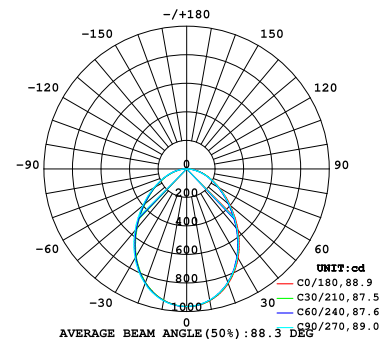


Regular Feature

- Aluminium Plaster Luminaire
- Aluminium Injection Heatsink
- High Diffusion and Transmission Pyramid Surface Diffuser
- High Performance LED
- Grounded Terminal Block With Security Wire
- MacAdam 3 Steps Colour Tolerance
- High Power Factor, Low TDH Driver
- Halogen Free Cable
- Design Without Screw and Welding
- Easy and Secure Mounting

Optional Feature

- Colour Option According RAL Code
- UGR < 19 Diffuser
- DDP and Other Diffuser Option
- Driver Brands on Demand
- DALI and Other DIM Driver Compability
- Emergency Kit (In the luminaire)



Luminaire		
Rated Power	30W	20W
Power Consumption	27,5W	20W
Input Current	0.3A Max	0.2A Max
Input Voltage	220-240 Vac	
Luminaire Luminous Flux	3298 lm*	2286 lm*
Luminaire Efficiency	~120 lm/W	~115 lm/W
CRI (Ra)	>80	
Beam Angle	85°	
Light Colour Options	2700K 3000K 4000K 6500K	

* Luminous Flux Is Measured Armature Output Flux Based On Osram Duris E5 4000K

Regular Frame Colour

- RAL 9003 Mat White
- RAL 7016 Mat Anthracite
- RAL 9006 Mat Grey
- RAL 9005 Mat Black
- Colour Option With RAL Code are Available

Driver **		
Power	30W	20W
Output Voltage	25-42Vdc	25-40 Vdc
Drive Current	700 mA	500 mA
Power Factor (PF)	≥0.95	≥0.90
Efficiency	≥84	≥85
TDH	≤20	≤18
Surge Level	1 KV	

** T able content given according Lifud Flicker-Free Driver.

- Different driver brand can be used according project.

Packing

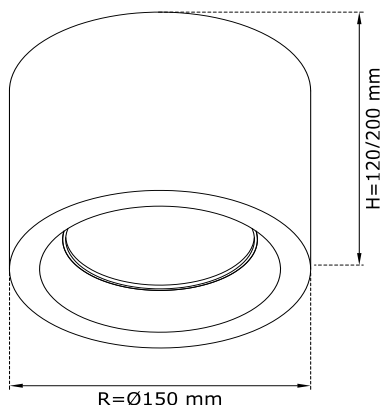
Box Quantity: 16
Box Weight : 18,50 kg

OPAL base

Surface Mounted Luminaire



Various Colour With RAL Code



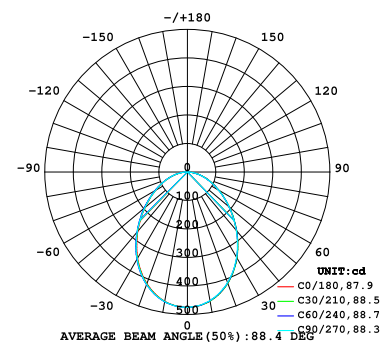
Recessed Mounted Diffuser

Regular Feature

- Aluminium Plaster Luminaire
- Aluminium Injection Heatsink
- High Diffusion and Transmission Pyramid Surface Diffuser
- High Performance LED
- Grounded Terminal Block With Security Wire
- MacAdam 3 Steps Colour Tolerance
- High Power Factor, Low TDH Driver
- Halogen Free Cable
- Design Without Screw and Welding
- Easy and Secure Mounting

Optional Feature

- Colour Option According RAL Code
- UGR < 19 Diffuser
- DDP and Other Diffuser Option
- Driver Brands on Demand
- DALI and Other DIM Driver Compability
- Emergency Kit (Out of Luminaire)



Luminaire		
Rated Power	15W	12W
Power Consumption	14W	11W
Input Current	0.1A Max	
Input Voltage	220-240 Vac	
Luminaire Luminous Flux	1525 lm*	1200 lm*
Luminaire Efficiency	~110 lm/W	
CRI (Ra)	>80	
Beam Angle	85°	

Light Colour Options 2700K 3000K 4000K 6500K

* Luminous Flux Is Measured Armature Output Flux Based On Osram Duris E5 4000K

Regular Frame Colour

- RAL 9003 Mat White
- RAL 7016 Mat Anthracite
- RAL 9006 Mat Grey
- RAL 9005 Mat Black
- Colour Option With RAL Code are Available

Driver **		
Power	15W	12W
Output Voltage	25-40Vdc	
Drive Current	350 mA	300 mA
Power Factor (PF)	≥0.90	
Efficiency	≥83	
TDH	≤18	
Surge Level	1 KV	

** T able content given according Lifud Flicker-Free Driver.

- Different driver brand can be used according project.

Packing

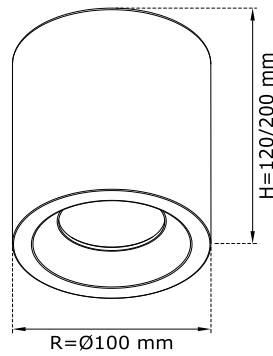
Box Quantity: 24
 Box Weight : 19,00 kg

OPAL base

Surface Mounted Luminaire



Various Colour With RAL Code

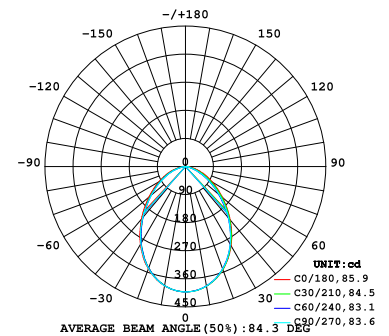


Regular Feature

- Aluminium Plaster Luminaire
- Aluminium Injection Heatsink
- High Diffusion and Transmission Pyramid Surface Diffuser
- High Performance LED
- Grounded Terminal Block With Security Wire
- MacAdam 3 Steps Colour Tolerance
- High Power Factor, Low TDH Driver
- Halogen Free Cable
- Design Without Screw and Welding
- Easy and Secure Mounting

Optional Feature

- Colour Option According RAL Code
- UGR < 19 Diffuser
- DDP and Other Diffuser Option
- Driver Brands on Demand
- DALI and Other DIM Driver Compability
- Emergency Kit (Out of Luminaire)



Luminaire		
Rated Power	10W	8W
Power Consumption	9W	5W
Input Current	0.1A Max	
Input Voltage	220-240 Vac	
Luminaire Luminous Flux	873 lm*	428 lm*
Luminaire Efficiency	~95 lm/W	~85 lm/W
CRI (Ra)	>80	
Beam Angle	85°	

Light Colour Options: 2700K, 3000K, 4000K, 6500K

* Luminous Flux Is Measured Armature Output Flux Based On Osram Duris E5 4000K

Regular Frame Colour

- RAL 9003 Mat White
- RAL 7016 Mat Anthracite
- RAL 9006 Mat Grey
- RAL 9005 Mat Black
- Colour Option With RAL Code are Available

Driver **		
Power	10W	8W
Output Voltage	25-40Vdc	
Drive Current	250 mA	200 mA
Power Factor (PF)	≥0.90	
Efficiency	≥83	
TDH	≤18	
Surge Level	1 KV	

** T able content given according Lifud Flicker-Free Driver.

- Different driver brand can be used according project.

Packing

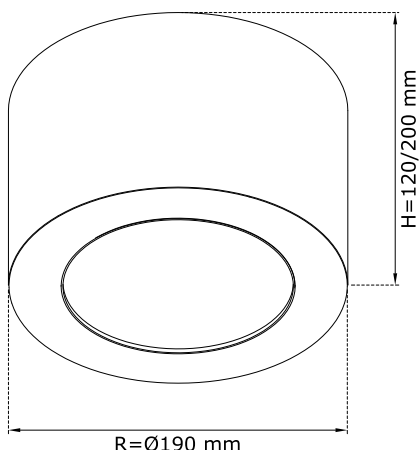
Box Quantity: 48
 Box Weight : 22,50 kg

OPAL flat

Surface Mounted Luminaire



Various Colour With RAL Code

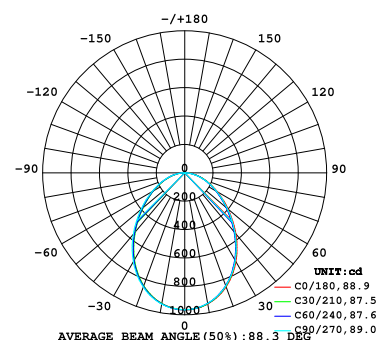


Regular Feature

- Metal Body
- Aluminium Injection Heatsink
- High Diffusion and Transmission Pyramid Surface Diffuser
- High Performance LED
- Grounded Terminal Block
- MacAdam 3 Steps Colour Tolerance
- High Power Factor, Low TDH Driver
- Halogen Free Cable

Optional Feature

- Colour Option According RAL Code
- UGR < 19 Diffuser
- DDP and Other Diffuser Option
- Driver Brands on Demand
- DALI and Other DIM Driver Compability
- Emergency Kit (In the luminaire)



Luminaire		
Rated Power	30W	20W
Power Consumption	27,5W	20W
Input Current	0.3A Max	0.2A Max
Input Voltage	220-240 Vac	
Luminaire Luminous Flux	3298 lm*	2286 lm*
Luminaire Efficiency	~120 lm/W	~115 lm/W
CRI (Ra)	>80	
Beam Angle	85°	

Light Colour Options 2700K 3000K 4000K 6500K

* Luminous Flux Is Measured Armature Output Flux Based On Osram Duris E5 4000K

Regular Frame Colour

- RAL 9003 Mat White
- RAL 7016 Mat Anthracite
- RAL 9006 Mat Grey
- RAL 9005 Mat Black
- Colour Option With RAL Code are Available

Driver **		
Power	30W	20W
Output Voltage	25-42Vdc	25-40 Vdc
Drive Current	700 mA	500 mA
Power Factor (PF)	≥0.95	≥0.90
Efficiency	≥84	≥85
TDH	≤20	≤18
Surge Level	1 KV	

** T able content given according Lifud Flicker-Free Driver.

- Different driver brand can be used according project.

Packing

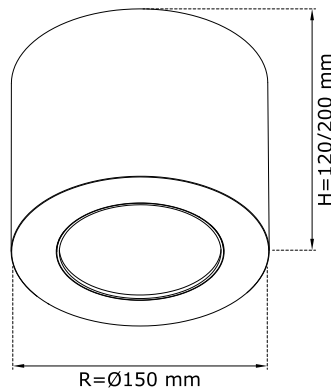
Box Quantity: 16
Box Weight : 29,00 kg

OPAL flat

Surface Mounted Luminaire



Various Colour With RAL Code

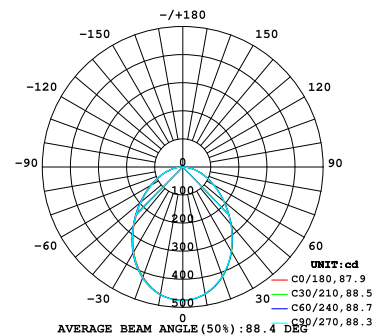


Regular Feature

- Metal Body
- Aluminium Injection Heatsink
- High Diffusion and Transmission Pyramid Surface Diffuser
- High Performance LED
- Grounded Terminal Block
- MacAdam 3 Steps Colour Tolerance
- High Power Factor, Low TDH Driver
- Halogen Free Cable

Optional Feature

- Colour Option According RAL Code
- UGR < 19 Diffuser
- DDP and Other Diffuser Option
- Driver Brands on Demand
- DALI and Other DIM Driver Compability
- Emergency Kit (Out of Luminaire)



Luminaire		
Rated Power	15W	12W
Power Consumption	14W	11W
Input Current	0.1A Max	
Input Voltage	220-240 Vac	
Luminaire Luminous Flux	1525 lm*	1200 lm*
Luminaire Efficiency	~110 lm/W	
CRI (Ra)	>80	
Beam Angle	85°	

Light Colour Options 2700K 3000K 4000K 6500K

* Luminous Flux Is Measured Armature Output Flux Based On Osram Duris E5 4000K

Regular Frame Colour

- RAL 9003 Mat White
- RAL 7016 Mat Anthracite
- RAL 9006 Mat Grey
- RAL 9005 Mat Black
- Colour Option With RAL Code are Available

Driver **		
Power	15W	12W
Output Voltage	25-40Vdc	
Drive Current	350 mA	300 mA
Power Factor (PF)	≥0.90	
Efficiency	≥83	
TDH	≤18	
Surge Level	1 KV	

** T able content given according Lifud Flicker-Free Driver.

- Different driver brand can be used according project.

Packing

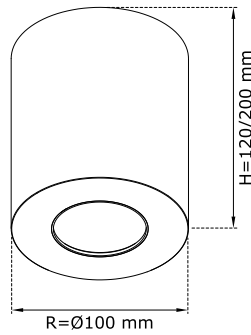
Box Quantity : 24
 Box Weight : 26,50 kg

OPAL flat

Surface Mounted Luminaire



Various Colour With RAL Code

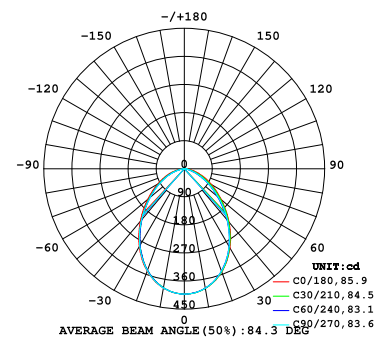


Regular Feature

- Metal Body
- Aluminium Injection Heatsink
- High Diffusion and Transmission Pyramid Surface Diffuser
- High Performance LED
- Grounded Terminal Block
- MacAdam 3 Steps Colour Tolerance
- High Power Factor, Low TDH Driver
- Halogen Free Cable

Optional Feature

- Colour Option According RAL Code
- UGR < 19 Diffuser
- DDP and Other Diffuser Option
- Driver Brands on Demand
- DALI and Other DIM Driver Compability
- Emergency Kit (Out of Luminaire)



Luminaire		
Rated Power	10W	8W
Power Consumption	9W	5W
Input Current	0.1A Max	
Input Voltage	220-240 Vac	
Luminaire Luminous Flux	873 lm*	428 lm*
Luminaire Efficiency	~95 lm/W	~85 lm/W
CRI (Ra)	>80	
Beam Angle	85°	
Light Colour Options	2700K 3000K 4000K 6500K	

* Luminous Flux Is Measured Armature Output Flux Based On Osram Duris E5 4000K

Driver **		
Power	10W	8W
Output Voltage	25-40Vdc	
Drive Current	250 mA	200 mA
Power Factor (PF)	≥0.90	
Efficiency	≥83	
TDH	≤18	
Surge Level	1 KV	

** T able content given according Lifud Flicker-Free Driver.

- Different driver brand can be used according project.

Regular Frame Colour

- RAL 9003 Mat White
- RAL 7016 Mat Anthracite
- RAL 9006 Mat Grey
- RAL 9005 Mat Black
- Colour Option With RAL Code are Available

Packing

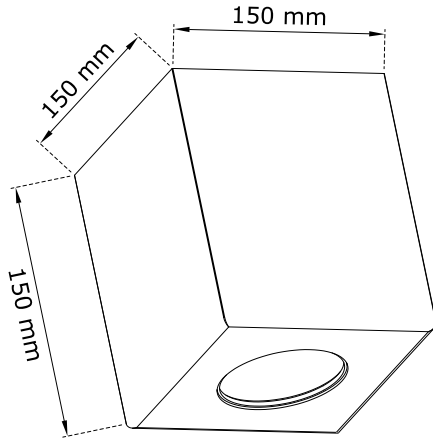
Box Quantity: 48
 Box Weight : 32,50 kg

OPAL flat

Surface Mounted Downlight



Various Colour With RAL Code

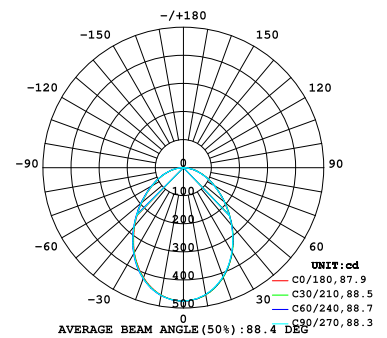


Regular Feature

- Metal Body
- Aluminium Injection Heatsink
- High Diffusion and Transmission Pyramid Surface Diffuser
- High Performance LED
- Grounded Terminal Block
- MacAdam 3 Steps Colour Tolerance
- High Power Factor, Low TDH Driver
- Halogen Free Cable

Optional Feature

- Colour Option According RAL Code
- UGR < 19 Diffuser
- DDP and Other Diffuser Option
- Driver Brands on Demand
- DALI and Other DIM Driver Compability
- Emergency Kit (Out of Luminaire)



Luminaire		
Rated Power	15W	12W
Power Consumption	14W	11W
Input Current	0.1A Max	
Input Voltage	220-240 Vac	
Luminaire Luminous Flux	1525 lm*	1200 lm*
Luminaire Efficiency	~110 lm/W	
CRI (Ra)	>80	
Beam Angle	85°	

Light Colour Options: 2700K, 3000K, 4000K, 6500K

* Luminous Flux Is Measured Armature Output Flux Based On Osram Duris E5 4000K

Regular Frame Colour

- RAL 9003 Mat White
- RAL 7016 Mat Anthracite
- RAL 9006 Mat Grey
- RAL 9005 Mat Black
- Colour Option With RAL Code are Available

Driver **		
Power	15W	12W
Output Voltage	25-40Vdc	
Drive Current	350 mA	300 mA
Power Factor (PF)	≥0.90	
Efficiency	≥83	
TDH	≤18	
Surge Level	1 KV	

** T able content given according Lifud Flicker-Free Driver.

- Different driver brand can be used according project.

Packing

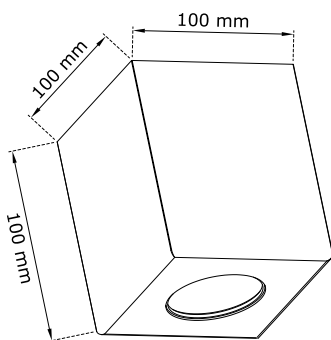
Box Quantity: 16
 Box Weight : 33,00 kg

OPAL flat

Surface Mounted Downlight



Various Colour With RAL Code

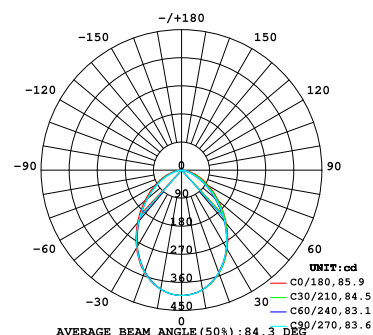


Regular Feature

- Metal Body
- Aluminium Injection Heatsink
- High Diffusion and Transmission Pyramid Surface Diffuser
- High Performance LED
- Grounded Terminal Block
- MacAdam 3 Steps Colour Tolerance
- High Power Factor, Low TDH Driver
- Halogen Free Cable

Optional Feature

- Colour Option According RAL Code
- UGR < 19 Diffuser
- DDP and Other Diffuser Option
- Driver Brands on Demand
- DALI and Other DIM Driver Compability
- Emergency Kit (Out of Luminaire)



Luminaire		
Rated Power	10W	8W
Power Consumption	9W	5W
Input Current	0.1A Max	
Input Voltage	220-240 Vac	
Luminaire Luminous Flux	873 lm*	428 lm*
Luminaire Efficiency	~95 lm/W	~85 lm/W
CRI (Ra)	>80	
Beam Angle	85°	

Light Colour Options 2700K 3000K 4000K 6500K

* Luminous Flux Is Measured Armature Output Flux Based On Osram Duris E5 4000K

Regular Frame Colour

- RAL 9003 Mat White
- RAL 7016 Mat Anthracite
- RAL 9006 Mat Grey
- RAL 9005 Mat Black
- Colour Option With RAL Code are Available

Driver **		
Power	10W	8W
Output Voltage	25-40Vdc	
Drive Current	250 mA	200 mA
Power Factor (PF)	≥0.90	
Efficiency	≥83	
TDH	≤18	
Surge Level	1 KV	

** T able content given according Lifud Flicker-Free Driver.

- Different driver brand can be used according project.

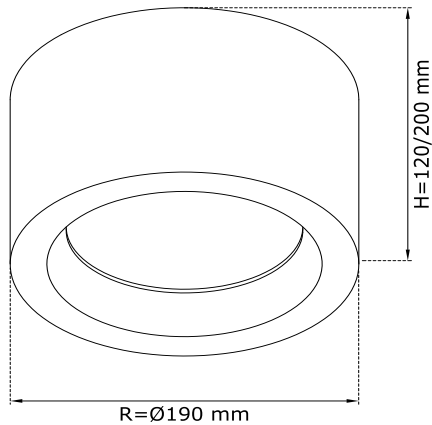
Packing

Box Quantity: 24
 Box Weight : 33,00kg

OPAL Pendant Luminaire base



Various Colour With RAL Code

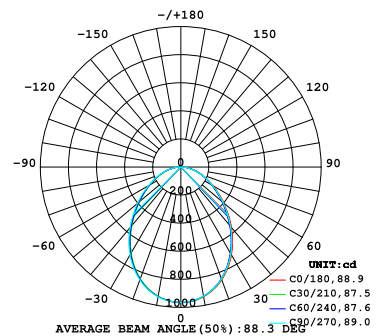


Regular Feature

- Metal Body
- Aluminium Injection Heatsink
- High Diffusion and Transmission Pyramid Surface Diffuser
- High Performance LED
- Grounded Terminal Block With Security Wire
- MacAdam 3 Steps Colour Tolerance
- High Power Factor, Low TDH Driver
- Halogen Free Cable
- Design Without Screw and Welding
- Easy and Secure Mounting

Optional Feature

- Colour Option According RAL Code
- UGR<19 Diffuser
- DDP and Other Diffuser Option
- Driver Brands on Demand
- DALI and Other DIM Driver Compability
- Emergency Kit (In the luminaire)



Luminaire		
Rated Power	30W	20W
Power Consumption	27,5W	20W
Input Current	0.3A Max	0.2A Max
Input Voltage	220-240 Vac	
Luminaire Luminous Flux	3298 lm*	2286 lm*
Luminaire Efficiency	~120 lm/W	~115 lm/W
CRI (Ra)	>80	
Beam Angle	85°	
Light Colour Options	2700K 3000K 4000K 6500K	

* Luminous Flux Is Measured Armature Output Flux Based On Osram Duris E5 4000K

Regular Frame Colour

- RAL 9003 Mat White
- RAL 7016 Mat Anthracite
- RAL 9006 Mat Grey
- RAL 9005 Mat Black
- Colour Option With RAL Code are Available

Driver **		
Power	30W	20W
Output Voltage	25-42Vdc	25-40 Vdc
Drive Current	700 mA	500 mA
Power Factor (PF)	≥0.95	≥0.90
Efficiency	≥84	≥85
TDH	≤20	≤18
Surge Level	1 KV	

** T able content given according Lifud Flicker-Free Driver.

- Different driver brand can be used according project.

Packing

Box Quantity : 12
Box Weight : 20,00 kg

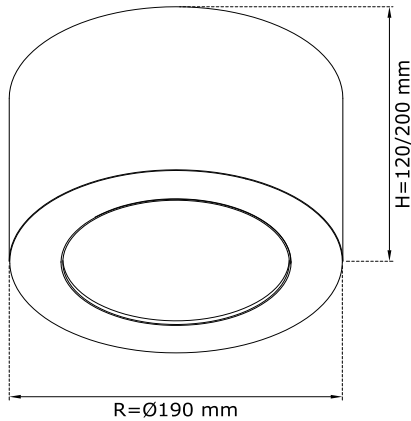
Standard Suspension Kit Length is 1.5mt.

OPAL flat

Pendant Luminaire



Various Colour With RAL Code

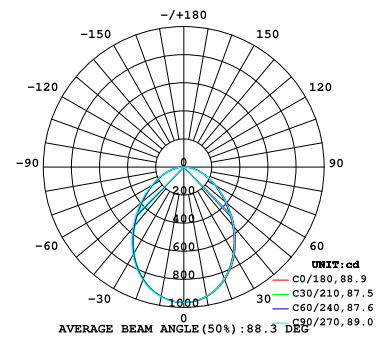


Regular Feature

- Metal Body
- Aluminium Injection Heatsink
- High Diffusion and Transmission Pyramid Surface Diffuser
- High Performance LED
- Grounded Terminal Block
- MacAdam 3 Steps Colour Tolerance
- High Power Factor, Low TDH Driver
- Halogen Free Cable

Optional Feature

- Colour Option According RAL Code
- UGR < 19 Diffuser
- DDP and Other Diffuser Option
- Driver Brands on Demand
- DALI and Other DIM Driver Compability
- Emergency Kit (In the luminaire)



Luminaire		
Rated Power	30W	20W
Power Consumption	27,5W	20W
Input Current	0.3A Max	0.2A Max
Input Voltage	220-240 Vac	
Luminaire Luminous Flux	3298 lm*	2286 lm*
Luminaire Efficiency	~120 lm/W	~115 lm/W
CRI (Ra)	>80	
Beam Angle	85°	
Light Colour Options	2700K 3000K 4000K 6500K	

* Luminous Flux Is Measured Armature Output Flux Based On Osram Duris E5 4000K

Regular Frame Colour

- RAL 9003 Mat White
- RAL 7016 Mat Anthracite
- RAL 9006 Mat Grey
- RAL 9005 Mat Black
- Colour Option With RAL Code are Available

Driver **		
Power	30W	20W
Output Voltage	25-42Vdc	25-40 Vdc
Drive Current	700 mA	500 mA
Power Factor (PF)	≥0.95	≥0.90
Efficiency	≥84	≥85
TDH	≤20	≤18
Surge Level	1 KV	

** T able content given according Lifud Flicker-Free Driver.

- Different driver brand can be used according project.

Packing

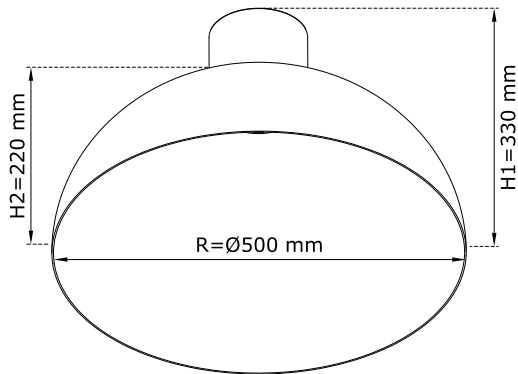
Box Quantity :12
 Box Weight : 23,00 kg

Standard Suspension Kit Length is 1.5mt.

OPAL Pendant Luminaire deco



Various Colour With RAL Code




✓ Regular Feature

- Aluminium Plaster Luminaire
- Aluminium Injection Heatsink
- High Diffusion and Transmission Pyramid Surface Diffuser
- High Performance LED
- MacAdam 3 Steps Colour Tolerance
- High Power Factor, Low TDH Driver
- Halogen Free Cable

❓ Optional Feature

- Colour Option According RAL Code
- UGR < 19 Diffuser
- DDP and Other Diffuser Option
- Driver Brands on Demand
- DALI and Other DIM Driver Compatibility

Luminaire		
Rated Power	30W	20W
Power Consumption	27,5W	20W
Input Current	0.3A Max	0.2A Max
Input Voltage	220-240 Vac	
Luminaire Luminous Flux	3298 lm*	2286 lm*
Luminaire Efficiency	~120 lm/W	~115 lm/W
CRI (Ra)	>80	
Beam Angle	90°	
Light Colour Options		

* Luminous Flux Is Measured Armature Output Flux Based On Osram Duris E5 4000K

🎨 Regular Frame Colour

- Outer Surface • RAL 9005 Mat Black • RAL 7016 Mat Anthracite
- Inner Surface • RAL 9003 Mat White • Copper, Gold
- Colour Option With RAL Code are Available

Driver **		
Power	30W	20W
Output Voltage	25-42Vdc	25-40 Vdc
Drive Current	700 mA	500 mA
Power Factor (PF)	≥0.95	≥0.90
Efficiency	≥84	≥85
TDH	≤20	≤18
Surge Level	1 KV	

** T able content given according Lifud Flicker-Free Driver.

- Different driver brand can be used according project.

✓ Packing

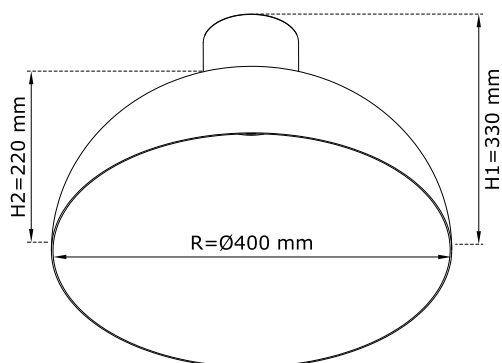
Box Quantity: 1
Box Weight : 4,00 kg

Standard Suspension Kit Length is 1.5mt.

OPAL Pendant Luminaire deco



Various Colour With RAL Code



✓ Regular Feature

- Aluminium Plaster Luminaire
- Aluminium Injection Heatsink
- High Diffusion and Transmission Pyramid Surface Diffuser
- High Performance LED
- MacAdam 3 Steps Colour Tolerance
- High Power Factor, Low TDH Driver
- Halogen Free Cable

❓ Optional Feature

- Colour Option According RAL Code
- UGR < 19 Diffuser
- DDP and Other Diffuser Option
- Driver Brands on Demand
- DALI and Other DIM Driver Compatibility

Luminaire		
Rated Power	15W	12W
Power Consumption	14W	11W
Input Current	0.1A Max	
Input Voltage	220-240 Vac	
Luminaire Luminous Flux	1525 lm*	1200 lm*
Luminaire Efficiency	~110 lm/W	
CRI (Ra)	>80	
Beam Angle	90°	
Light Colour Options	2700K 3000K 4000K 6500K	

* Luminous Flux Is Measured Armature Output Flux Based On Osram Duris E5 4000K

🎨 Regular Frame Colour

- Outer Surface • RAL 9005 Mat Black • RAL 7016 Mat Anthracite
- Inner Surface • RAL 9003 Mat White • Copper, Gold
- Colour Option With RAL Code are Available

Driver **		
Power	15W	12W
Output Voltage	25-40Vdc	
Drive Current	350 mA	300 mA
Power Factor (PF)	≥0.90	
Efficiency	≥83	
TDH	≤18	
Surge Level	1 KV	

** T able content given according Lifud Flicker-Free Driver.

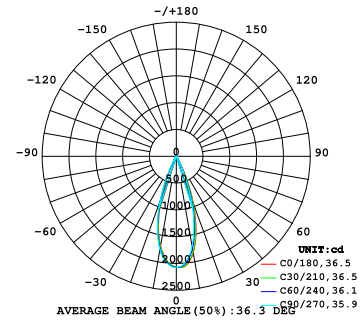
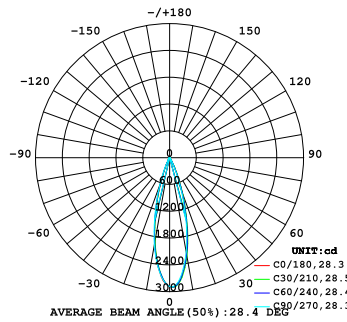
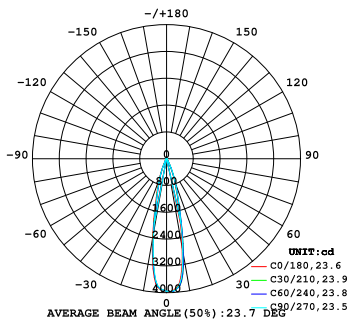
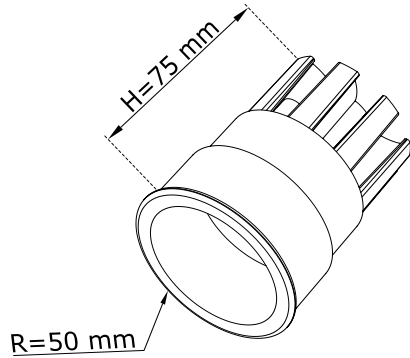
- Different driver brand can be used according project.

✓ Packing

Box Quantity: 1
Box Weight : 3,50 kg

Standard Suspension Kit Length is 1.5mt.

MODULUS



Regular Feature

- Antiglare Designed Module Spot
- High Performance COB LED
- Suitable for General Lighting Purpose
- High Power Factor, Low TDH Driver External Driver
- Aluminium Reflector

Optional Feature

- Driver Brands on Demand
- DALI and Other DIM Driver Compatibility
- 15°/24°/38° Reflector

Luminaire	8W	10W	12W	14W
Power	8W	10W	12W	14W
Input Current	0.1A Max			
Input Voltage	220-240 Vac			
Luminaire Luminous Flux	825 lm*	940 lm*	1175 lm*	1345 lm*
Luminaire Efficiency	~ 103 lm/W	~94 lm/W	~98 lm/W	~96 lm/W
CRI (Ra)	>80			
Beam Angle	15°/24°/38°			

Driver **	25-40 Vdc
Output Voltage	25-40 Vdc
Drive Current	200 mA 250 mA 300 mA 350 mA
Power Factor (PF)	≥0.90
Efficiency	≥83
TDH	≤18
Surge Level	1 KV

** T able content given according Lifud Flicker-Free Driver.

- Different driver brand can be used according project.

Light Colour Options

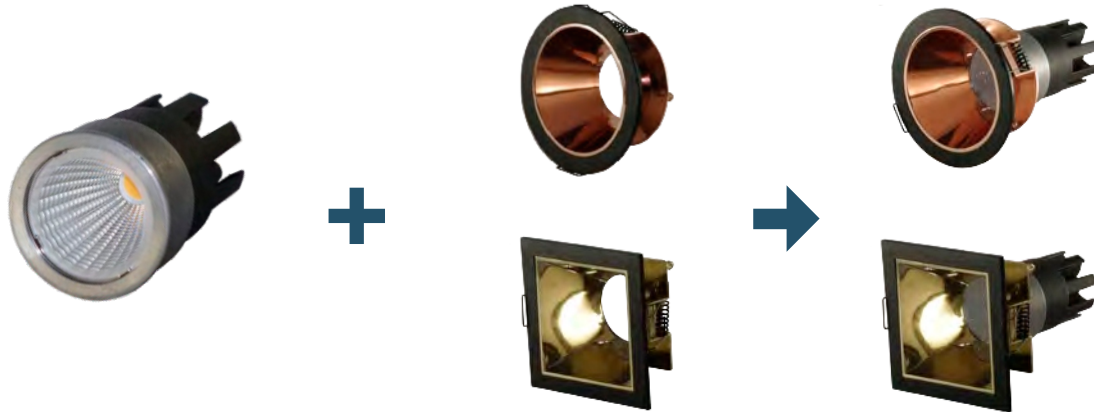


* Luminous Flux Is Measured Armature Output Flux Based On 3000K SAMSUNG COB LED and 24° Reflector.

Packing

Box Quantity : 60
Box Weight : 16,00 kg

MODULUS / Recessed Mounted Spot



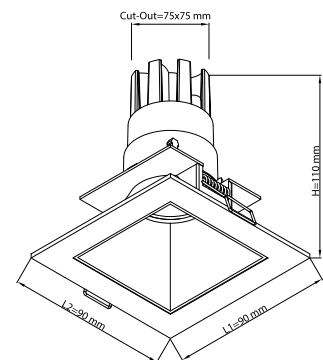
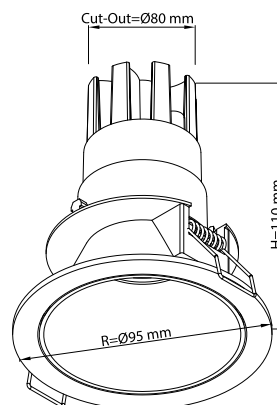
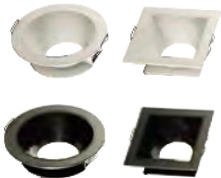
✓ Regular Feature

- Antiglare Designed Recessed Spot
- High Performance COB LED
- Suitable for General Lighting Purpose
- High Power Factor, Low TDH Driver External Driver
- Aluminium Reflector

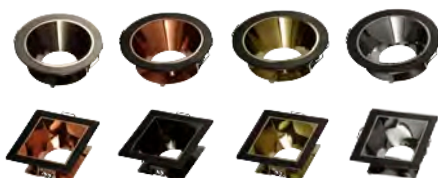
❓ Optional Feature

- Halogen free ABS Frame
- Compatible Spring System to all Ceiling Application
- Driver Brands on Demand
- DALI and Other DIM Driver Compatibility
- Changable Body and Frame Colour
- 15° / 24° / 38° Reflector

✓ Piano Coloured Frame



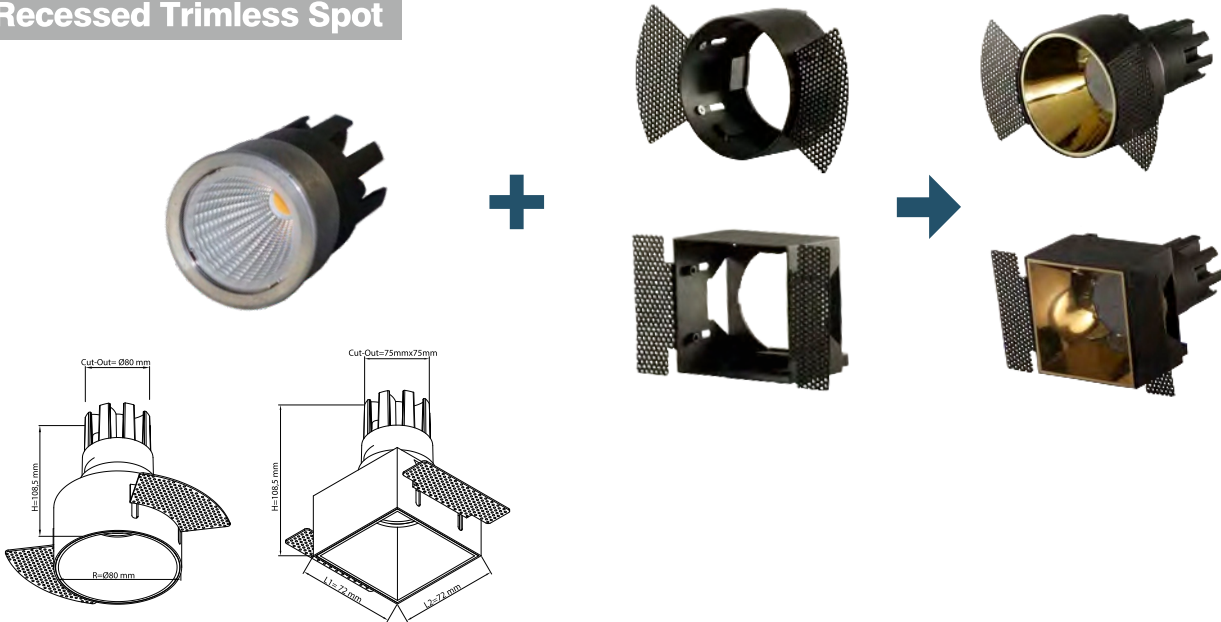
✓ Coated Frame



MODULUS / Recessed Mounted Trimless Spot, Surface Mounted Spot



Recessed Trimless Spot



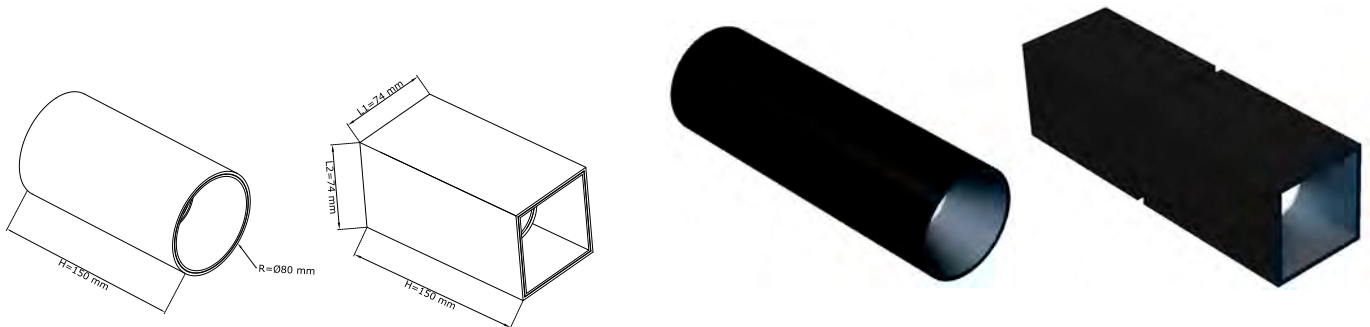
✓ Regular Feature

- Height Adjustable Trimless Body
- Easy Switch-On Mechanism for Trimless Assembly.
- Antiglare Designed Recessed Spot
- High Performance COB LED
- Suitable for General Lighting Purpose

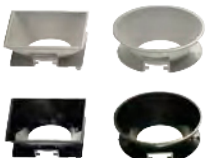
❓ Optional Feature

- High Power Factor, Low TDH Driver External Driver
- Aluminium Reflector
- Halogen free ABS Frame
- Compatible Frames for Modules and GU10, MR16
- Driver Brands on Demand
- DALI and Other DIM Driver Compability
- 15°/24°/38° Reflector

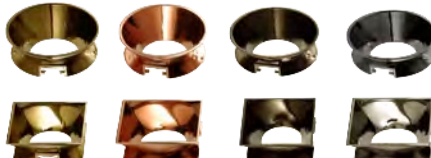
Surface Mounted Spot



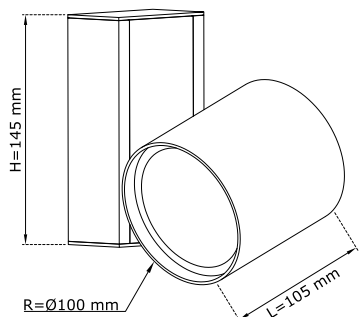
✓ Piano Coloured Body



✓ Coated Body



CALEO / Track Light



✓ Regular Feature

- Aluminum Injection Body
- High Purity Aluminium Reflector
- High Performance COB LED
- 300° Horizontal, 110° Vertical Rotation
- High Power Factor, Low TDH Driver
- Single Phased socketed

⊕ Optional Feature

- Colour Option According RAL Code
- 45° / 60° / 90° Angle
- DALI and Other DIM Driver Compability
- Driver Brands on Demand
- 3 Phase Socket

Turkey
Discover the potential

Luminaire

Rated Power	30W	40W
Power Consumption	30W	40W
Input Current	0.3A Max	0.2A Max
Input Voltage	220-240 Vac	
Luminaire Luminous Flux	2370 lm*	2750 lm*
Luminaire Efficiency	~80 lm/W	
CRI (Ra)	>80	

Light Colour Options



* Luminous Flux Is Measured Armature Output Flux Based On 3000K Samsung COB LED and 45° Reflector.

Driver **

Power	30W	40W
Output Voltage	27-43Vdc	27-45 Vdc
Drive Current	700 mA	900 mA
Power Factor (PF)	0.95	0.95
Efficiency	89	90

** T able content given according Lifud Flicker-Free Driver.

- Different driver brand can be used according project.

⊙ Regular Luminaire Colour

- RAL 9005 Mat Black

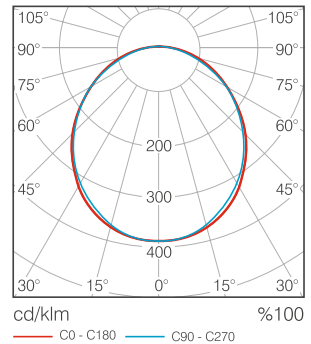
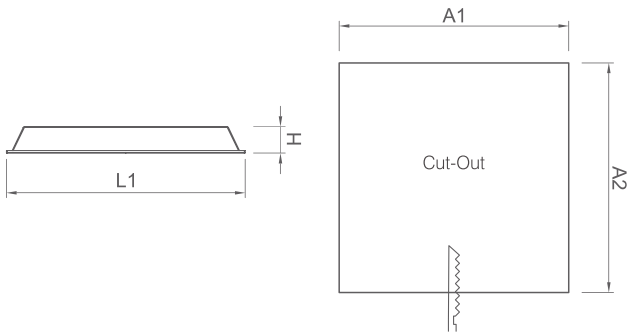
✓ Packing

Box Quantity: 16
Box Weight : 16,00 kg



UNIQ / Recessed Luminaire

eco



✓ Regular Feature

- Powder Coated Metal Body
- High Diffusion And Transmission Diffuser
- MacAdam 3 Steps Color Tolerance
- High Performance LED
- High Power Factor, Low TDH Driver

? Optional Feature

- UGR < 19 Diffuser
- DDP and Other Diffuser Option
- DALI and Other DIM Driver Compability
- Emergency Kit
- Driver Brands on Demand

Power Consumption	Luminaire Luminous Flux (lm)*	Luminaire Efficiency	Input Voltage	CRI (Ra)	Output Voltage	Drive Current	Dimensions (mm)				
							A1	A2	L1	L2	H
10W	1050	~105 lm/W	220-240 Vac	>80	27V	350 mA	275	275	295	295	70
15W	1550	~105 lm/W	220-240 Vac	>80	42V	350 mA	575	275	595	295	70
38W	4000	~105 lm/W	220-240 Vac	>80	42V	700 mA	575	575	595	595	58
38W	4000	~105 lm/W	220-240 Vac	>80	42V	700 mA	1175	275	1195	295	83
60W	6400	~105 lm/W	220-240 Vac	>80	168V	350 mA	1175	575	1195	595	83

* Luminous Flux Is Measured Armature Output Flux Based On Samsung 2835 4000K
 • The ceiling type should be specified by order.

✓ Packing

Box Quantity: 1
 Box Weight : 3,00 kg (60x60cm)

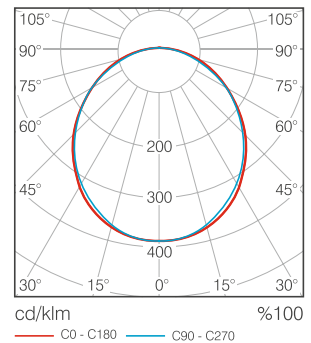
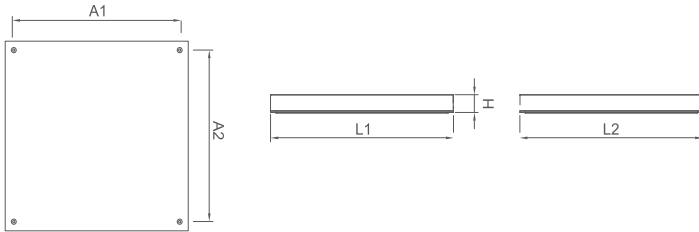
Regular Frame Colour

- RAL 9003 Mat White
- Colour Option With RAL Code are Available

Turkey
 Discover the potential



UNIQ eco / Surface Mounted, Pendant Luminaire



✓ Regular Feature

- Powder Coated Metal Body
- High Diffusion And Transmission Diffuser
- MacAdam 3 Step Colour Tolerance
- High Performance LED
- High Power Factor, Low TDH Driver

❓ Optional Feature

- UGR < 19 Diffuser
- DDP and Other Diffuser Option
- DALI and Other DIM Driver Compability
- Emergency Kit
- Driver Brands on Demand

Power Consumption	Luminaire Luminous Flux (lm)*	Luminaire Efficiency	Input Voltage	CRI (Ra)	Output Voltage	Drive Current	Dimensions (mm)				
							A1	A2	L1	L2	H
10W	1050	~105 lm/W	220-240 Vac	>80	27V	350 mA	284	255	310	310	60
15W	1550	~105 lm/W	220-240 Vac	>80	42V	350 mA	376	170	550	300	60
38W	4000	~105 lm/W	220-240 Vac	>80	42V	700 mA	418	376	550	550	60
38W	4000	~105 lm/W	220-240 Vac	>80	42V	700 mA	730	170	1052	300	60
60W	6400	~105 lm/W	220-240 Vac	>80	168V	350 mA	730	376	1052	550	60

* Luminous Flux Is Measured Armature Output Flux Based On Samsung 2835 4000K
 • Standard Suspension Kit Length is 1.5mt.

✓ Packing

Box Quantity: 1
 Box Weight : 3,50 kg (60x60cm)

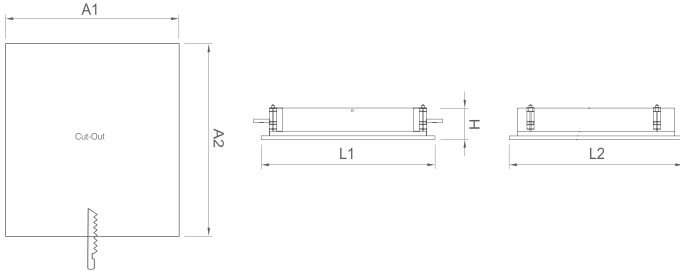
🌈 Regular Frame Colour

- RAL 9003 Mat White
- Colour Option With RAL Code are Available

Turkey
 Discover the potential



UNIQ hijyen / Recessed Luminaire

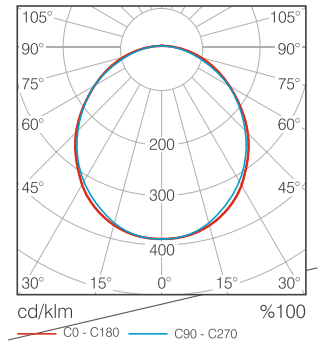


✓ Regular Feature

- Powder Coated Metal Body
- IP65 Frame
- High Diffusion And Transmission Diffuser
- MacAdam 3 Step Colour Tolerance
- High Performance LED
- High Power Factor, Low TDH Driver

Ⓚ Optional Feature

- UGR < 19 Diffuser
- DALI and Other DIM Driver Compability
- Emergency Kit
- CRI 90
- Driver Brands on Demand



Power Consumption	Luminaire Luminous Flux (lm)*	Luminaire Efficiency	Input Voltage	CRI (Ra)	Output Voltage	Drive Current	Dimensions (mm)				
							A1	A2	L1	L2	H
38W	3900	~105 lm/W	220-240 Vac	>80	84V	450 mA	572	572	595	595	82
38W	3900	~105 lm/W	220-240 Vac	>80	84V	450 mA	1175	275	1195	295	82
76W	7800	~105 lm/W	220-240 Vac	>80	168V	450 mA	1175	575	1195	595	82

* Luminous Flux Is Measured Armature Output Flux Based On Samsung 2835 4000K
 • The ceiling type should be specified by order.

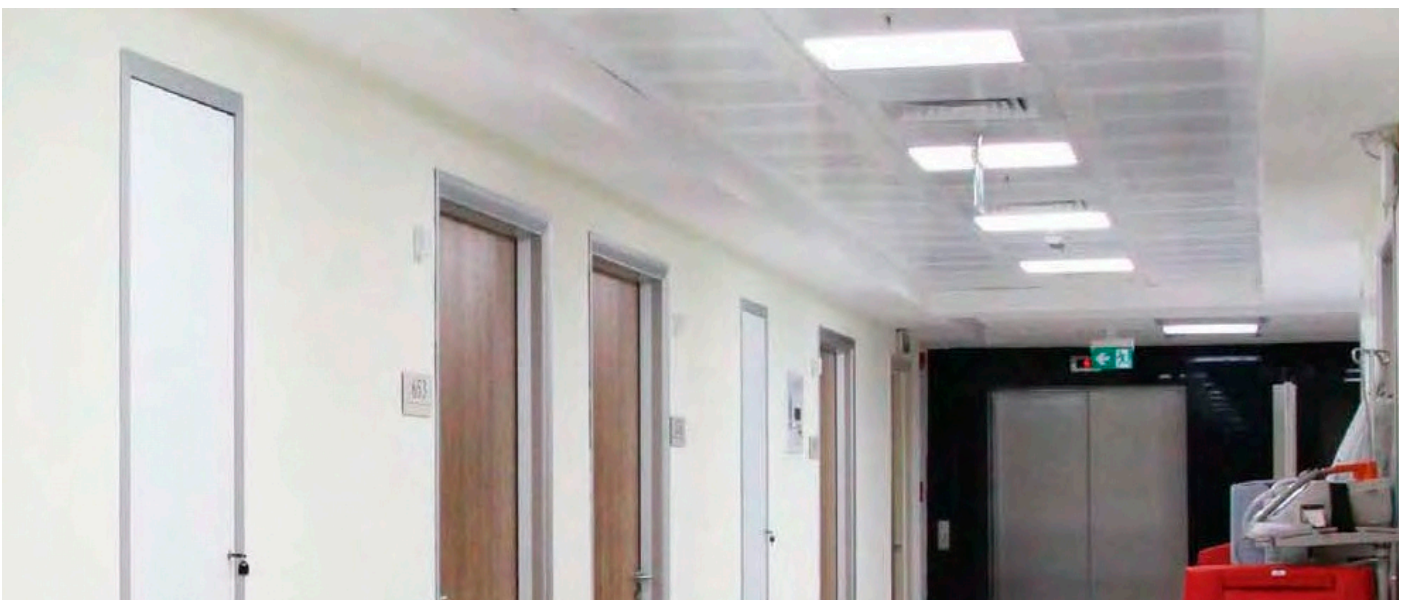
✓ Packing

Box Quantity: 1
 Box Weight : 7,00 kg (60x60cm)

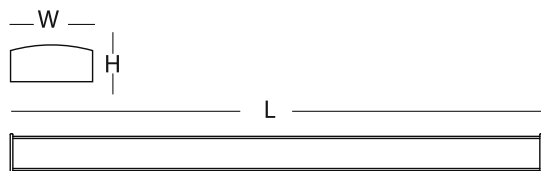
Regular Frame Colour

- RAL 9003 Mat White
- Colour Option With RAL Code are Available

Turkey
 Discover the potential



ZEN S / Ledbar



✓ Regular Feature

- Extruded Anodized Aluminium Body
- High Diffusion And Transmission Diffuser
- High Performance LED
- MacAdam 3 Steps Colour Tolerance
- Serial and Parallel Connection With Wired Connector
- Current and Reverse Voltage Protection

❓ Optional Feature

- 10mm or 16mm PCB
- Flat, Semi Oval and Oval Diffuser
- Transparent or Frosted Diffuser
- IP65 Protection Class
- DALI, RGB, DMX Compatible

Luminaire	
Power Consumption	14,5W/mt, 18W/mt
Input Voltage	220 VAc
DC Volt	24V
Luminaire Efficiency	~ 120lm/W*
CRI (Ra)	>80
LED Quantity	60/120 Led/m
Beam Angle	120°
Module Cutting Period	10cm/5cm

Dimensions (mm)		
W	L	H
1.9 cm	100 cm	1.2 cm
1.9 cm	100 cm	1.2 cm
1.9 cm	100 cm	1.2 cm
1.9 cm	100 cm	1.2 cm
1.5 cm	100 cm	0.8 cm
1.5 cm	100 cm	0.8 cm

According Project;
Luminaire

- Dimension and length,
- Power consumption per meter can change.

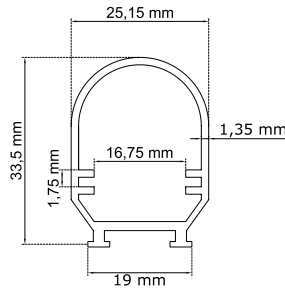
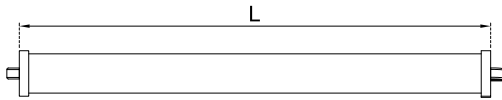
Please call for detail.

- Table value for references, all luminaire will be produced and packed according project details.
- The driver capacity should be determined according to the whole project, as it will depend on the method of implementation.

Turkey
Discover
the potential



ZEN S / Tube



✓ Regular Feature

- Polycarbonate Tube Profile
- High Diffusion And Transmission Frosted Diffuser
- High Performance LED
- MacAdam 3 Steps Colour Tolerance
- Serial and Parallel Connection With Cable
- Current and Reverse Voltage Protection

? Optional Feature

- IP65 Protection Class
- DALI, RGB, DMX Compatible

Luminaire

Power Consumption	14,5W/mt, 18W/mt
Input Voltage	220 VAc
DC Volt	24V
Luminaire Efficiency	~ 120lm/W*
CRI (Ra)	>80
LED Quantity	60/120 Led/m
Beam Angle	120 °
Module Cutting Period	10cm/5cm

* Efficiency based On 4000K Samsung 2835 LED.

Light Colour Options



- Table value for references, all luminaire will be produced and packed according project details.
- The driver capacity should be determined according to the whole project, as it will depend on the method of implementation.

According Project;
Luminaire

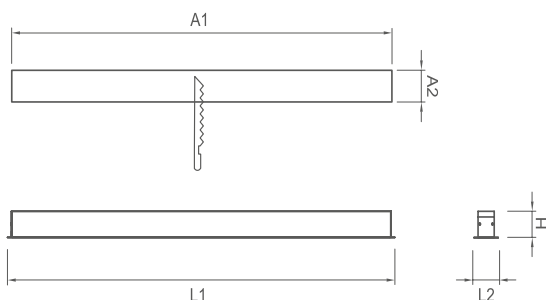
- Dimension and length,
- Power consumption per meter can change.

Please call for detail.

ZEN M / Linear Recessed Luminaire



Various Colour With RAL Code



✓ Regular Feature

- Extruded Aluminium Body
- High Diffusion And Transmission Diffuser
- MacAdam 3 Steps Colour Tolerance
- High Performance LED
- High Power Factor, Low TDH Driver

❓ Optional Feature

- DDP Diffuser
- Colour Option According RAL Code
- DALI and Other DIM Driver Compability
- Emergency Kit
- Driver Brands on Demand

According Project ;
Luminaire

- Dimension and length,
- Power consumption per meter can change.

Sample dimensions for Profile (HxL2) ;

- 65x45mm • 82x75mm
- 105x55mm • 105x84mm

Please call for detail.

🇹🇷 Regular Frame Colour

- RAL 9003 Mat White
- RAL 9005 Mat Black
- Colour option with RAL code are available.

Luminaire

Power Consumption	21W/mt, 30W/mt, 42W/mt
Input Current	350mA Constant Current
Input Voltage	220 Ac
Luminaire Efficiency	~ 105lm/W*
CRI (Ra)	>80
Beam Angle	120 °

Light Colour Options	2700K 3000K 4000K 6500K
----------------------	---------------------------------------------------------------------------------------------------------------------------------------------------------------------------------------------------------------------------------------------------------------------------------------------------------------------------------------------------------

* Efficiency based On 4000K Samsung 2835 LED.

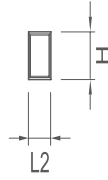
Turkey
Discover the potential



ZEN M / Linear Surface Mounted, Pendant Luminaire



Various Colour With RAL Code



✓ Regular Feature

- Extruded Aluminium Body
- High Diffusion And Transmission Diffuser
- MacAdam 3 Steps Colour Tolerance
- High Performance LED
- High Power Factor, Low TDH Driver

❓ Optional Feature

- DDP and Other Diffuser Option
- Colour Option According RAL Code
- DALI and Other DIM Driver Compability
- Emergency Kit
- Driver Brands on Demand

According Project ;

Luminaire

- Dimension and length,
- Power consumption per meter can change.

Sample dimensions for Profile (HxL2) ;

- 47x68mm • 52x82mm
- 55x75mm • 65x85mm
- 75x84mm • 78x100mm

Please call for detail.

🎯 Regular Frame Colour

- RAL 9003 Mat White
- RAL 9005 Mat Black
- Colour option with RAL code are available.

Luminaire

Power Consumption	21W/mt, 30W/mt, 42W/mt
Input Current	350mA Constant Current
Input Voltage	220 Ac
Luminaire Efficiency	~ 105lm/W*
CRI (Ra)	>80
Beam Angle	120 °

Light Colour Options

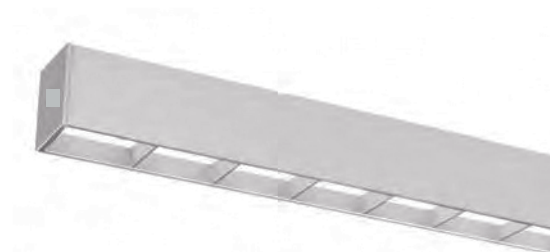
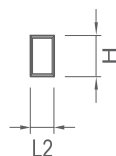
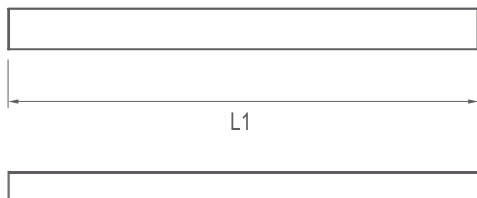


* Efficiency based On 4000K Samsung 2835 LED.. • Standard Suspension Kit Length is 1.5mt.

Turkey
Discover
the potential



ZEN M louvre / Linear Surface Mounted, Pendant Luminaire



✓ Regular Feature

- Extruded Aluminium Body
- High Diffusion And Transmission Diffuser
- High Performance LED
- MacAdam 3 Steps Colour Tolerance
- High Power Factor, Low TDH Driver

❓ Optional Feature

- DALI and Other DIM Driver Compability
- Colour Option According RAL Code
- Emergency Kit

Power Consumption	Luminaire Luminous Flux (lm)*	Luminaire Efficiency	Input Voltage	CRI (Ra)	Output Voltage	Drive Current	Dimensions(mm)		
							L1	L2	H
33W	2905	~ 88lm/W	220-240 Vac	>80	96V	350 mA	1130	75	84
50W	4400	~ 88lm/W	220-240 Vac	>80	144V	350 mA	1690	75	84

Light Colour Options



○ Regular Frame Colour

- RAL 9003 Mat White
- RAL 7016 Mat Anthracite
- RAL 9006 Mat Grey
- RAL 9005 Mat Black
- Colour option with RAL code are available.
- Standard Suspension Kit Length is 1.5mt.

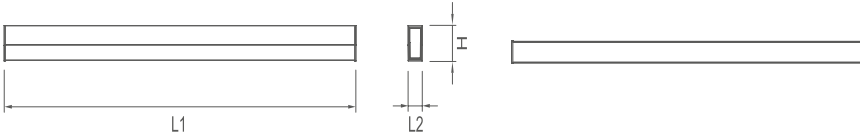
Turkey
Discover the potential



REKTA / Surface Mounted, Pendant Luminaire



Various Colour With RAL Code



✓ Regular Feature

- Extruded Aluminium Body
- High Diffusion And Transmission Diffuser
- High Performance LED
- MacAdam 3 Steps Colour Tolerance
- High Power Factor, Low TDH Driver

❓ Optional Feature

- DALI and Other DIM Driver Compability
- Colour Option According RAL Code
- Emergency Kit

Power	Luminaire Luminous Flux (lm)*	Luminaire Efficiency	CRI (Ra)	Beam Angle	Dimensions (mm)		
					L1	L2	H
30W	3150	~ 105lm/W	>80	120 °	1000	47	78
34W	3570	~ 105lm/W	>80	120 °	1130	47	78
45W	4725	~ 105lm/W	>80	120 °	1500	47	78
60W	6300	~ 105lm/W	>80	120 °	2000	47	78

○ Regular Frame Colour

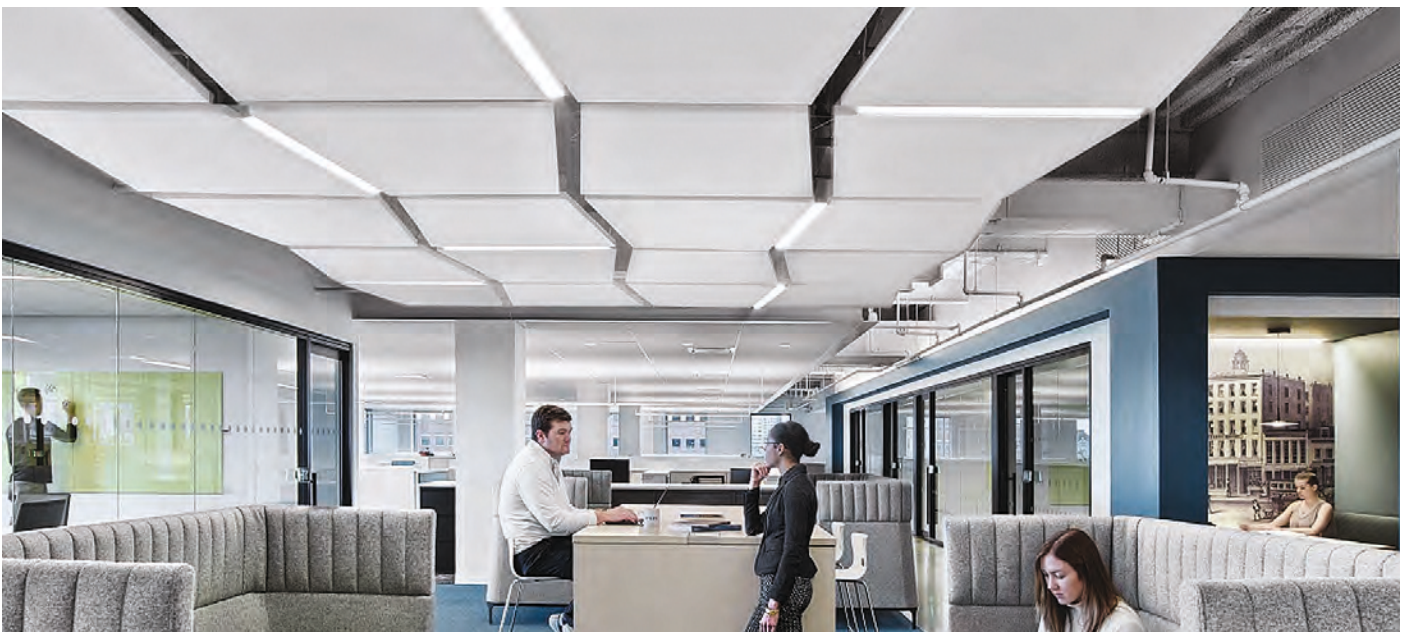
- RAL 9003 Mat White
- RAL 7016 Mat Anthracite
- RAL 9006 Mat Grey
- RAL 9005 Mat Black
- Colour option with RAL code are available.

Light Colour Options

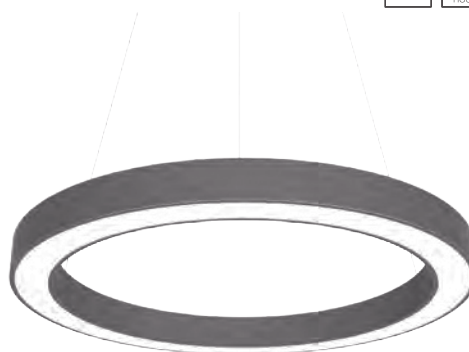
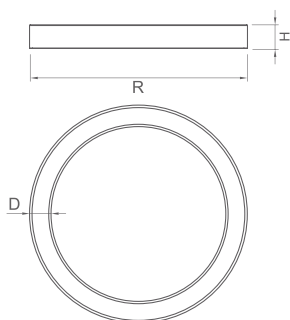


- * Efficiency based On 4000K Samsung 2835 LED.
- Standard Suspension Kit Length is 1.5mt.

Turkey
Discover the potential



ORBIC / Surface Mounted, Pendant Luminaire



Regular Feature

- Extruded Aluminium Body
- High Diffusion Diffuser
- MacAdam 3 Steps Colour Tolerance
- High Performance LED
- High Power Factor, Low TDH Driver

Optional Feature

- Colour Option According RAL Code
- Driver Brands on Demand
- DALI and Other DIM Driver Compatibility
- Emergency Kit
- Various Dimension According Project

According Project ;
Luminaire

- Dimension and diameter,
- Power consumption per meter can change.

- Width of D can be between 7-12 cm.
- Longer than 200 mm diameter Diffuser can be several part and mounted during installation.

Please call for detail.

Power	Luminaire Luminous Flux (lm)*	Luminaire Efficiency	CRI (Ra)	Beam Angle	Dimensions (mm)		
					R	D	H
32W	3360	~ 105lm/W*	>80	120 °	450	80	70
36W	3780	~ 105lm/W*	>80	120 °	600	80	70
58W	6090	~ 105lm/W*	>80	120 °	900	80	70
76W	7980	~ 105lm/W*	>80	120 °	1200	80	70

Light Colour Options



- * Efficiency based On 4000K Samsung 2835 LED.
- Standard Suspension Kit Length is 1.5mt.

Regular Frame Colour

- RAL 9003 Mat White
- RAL 9005 Mat Black
- Colour option with RAL code are available.

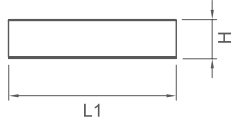
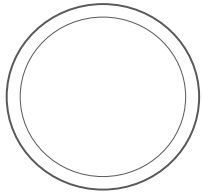
Turkey
Discover the potential



GLOS / Surface Mounted, Pendant Luminaire



Various Colour With RAL Code



Luminaire

Power	Luminaire Luminous Flux (lm)*	Luminaire Efficiency	CRI (Ra)	Beam Angle	Dimensions (mm)	
					L1	H
23W	2415	~ 105lm/W	>80	120 °	400	93
32W	3360	~ 105lm/W	>80	120 °	450	93
45W	4725	~ 105lm/W	>80	120 °	600	93
72W	7560	~ 105lm/W	>80	120 °	900	93
96W	10080	~ 105lm/W	>80	120 °	1200	93

Light Colour Options



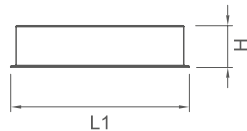
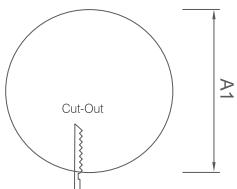
* Efficiency based On 4000K Samsung 2835 LED.

• Standard Suspension Kit Length is 1.5mt.

Turkey
Discover the potential



Various Colour With RAL Code



Luminaire

Power	Luminaire Luminous Flux (lm)*	Luminaire Efficiency	CRI (Ra)	Beam Angle	Dimensions (mm)	
					L1	H
23W	2415	~ 105lm/W	>80	120 °	400	93
32W	3360	~ 105lm/W	>80	120 °	450	93
45W	4725	~ 105lm/W	>80	120 °	600	93
72W	7560	~ 105lm/W	>80	120 °	900	93

Light Colour Options



• Efficiency based On 4000K Samsung 2835 LED.

According Project ;
Luminaire

- Dimension and length,
- Power consumption per meter can change.
- Adjustable suspension kit and transparent cable will be used for pendant luminaire.

Please call for detail.

Regular Feature

- Metal Body
- High Diffusion And Transmission Diffuser
- MacAdam 3 Steps Colour Tolerance
- High Performance LED
- High Power Factor, Low TDH Driver

Optional Feature

- Colour Option According RAL Code
- DALI and Other DIM Driver Compatibility
- Emergency Kit

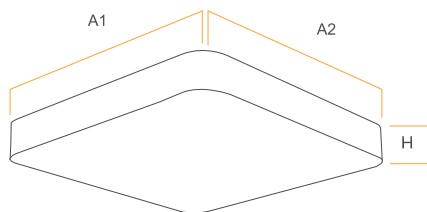
Regular Frame Colour

- RAL 9003 Mat White
- RAL 7016 Mat Anthracite
- RAL 9006 Mat Grey
- RAL 9005 Mat Black
- Colour option with RAL code are available.

GLOS V / Surface Mounted, Pendant Luminaire



Various Colour With RAL Code



Power	Luminaire Luminous Flux (lm)*	Luminaire Efficiency	CRI (Ra)	Beam Angle	Dimensions (mm)		
					A1	L1	H
40W	4200	~ 105lm/W	>80	120 °	450	450	80
50W	5250	~ 105lm/W	>80	120 °	600	600	80
80W	8400	~ 105lm/W	>80	120 °	900	900	80
100W	10500	~ 105lm/W	>80	120 °	1200	1200	80

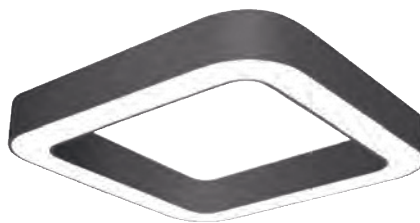
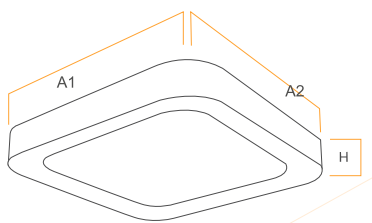
Light Colour Options



- Standard Suspension Kit Length is 1.5mt.
- * Efficiency based On 4000K Samsung 2835 LED.



Various Colour With RAL Code



Power	Luminaire Luminous Flux (lm)*	Luminaire Efficiency	CRI (Ra)	Beam Angle	Dimensions (mm)		
					A1	L1	H
26W	2730	~ 105lm/W	>80	120 °	450	450	80
35W	3675	~ 105lm/W	>80	120 °	600	600	80
50W	5250	~ 105lm/W	>80	120 °	900	900	80
70W	7350	~ 105lm/W	>80	120 °	1200	1200	80

* Efficiency based On 4000K Samsung 2835 LED.

- According Project ;
Luminaire
- Dimension and length,
 - Power consumption per meter can change.
 - Adjustable suspension kit and transparent cable will be used for pendant luminaire.

Please call for detail.

Regular Feature

- Metal Body
- High Diffusion And Transmission Diffuser
- MacAdam 3 Steps Colour Tolerance
- High Performance LED
- High Power Factor, Low TDH Driver

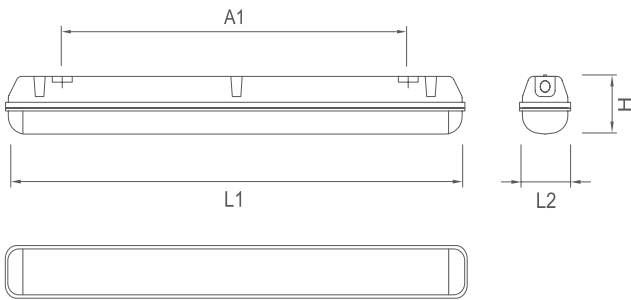
Optional Feature

- Colour Option According RAL Code
- DALI and Other DIM Driver Compability
- Emergency Kit
- Various Dimension According Project

Regular Frame Colour

- RAL 9003 Mat White
- RAL 9005 Mat Black
- Colour option with RAL code are available.

LED ETANJ



✔ Regular Feature

- Plastic Injection Polycarbonate Body and Diffuser
- High Diffusion And Transmission Diffuser
- High Performance LED

❓ Optional Feature

- DALI and Other DIM Driver Compability
- Emergency Kit

Power (W)	Luminaire Luminous Flux (lm)*	Luminaire Efficiency	CRI (Ra)	Dimensions (mm)			
				A1	L1	L2	H
18	1750 lm	~96lm/W	>80	700	1272	95	100
31	3000 lm	~96lm/W	>80	700	1272	95	100

Light Colour Options

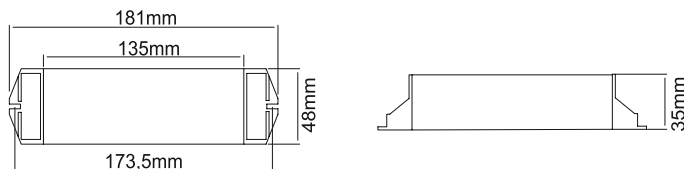


- Standard Suspension Kit Length is 1.5mt.

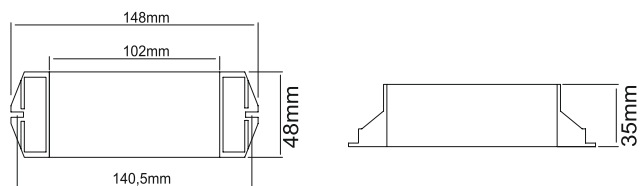
Turkey
Discover the potential



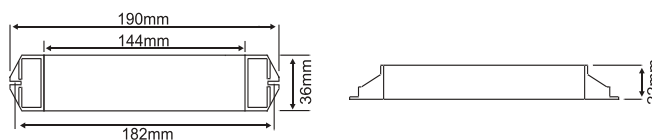
EMERGENCY LIGHTING UNITS



Lighting Style	Usage Type	Lamp	Duration	Battery Capacity	Insulation Class	Rated Power	Supply Voltage	Box Quantity	Weight (kg)
Non-Maintained	Internal	3-75 Volt	Emergency 60dk.	3.6v/900mAh	II	1,9W	230 Vac	1	0,35
Non-Maintained	Internal	3-200 Volt	Emergency 180dk.	3.6v/2500mAh	II	2,6W	230 Vac	1	0,45



Lighting Style	Usage Type	Lamp	Duration	Battery Capacity	Insulation Class	Rated Power	Supply Voltage	Box Quantity	Weight (kg)
Non-Maintained	Internal	3-75 Volt	Emergency 60dk.	3.6v/900mAh	II	1,9W	230 Vac	1	0,20
Non-Maintained	Internal	3-200 Volt	Emergency 180dk.	3.6v/2500mAh	II	2,6W	230 Vac	1	0,35



Lighting Style	Usage Type	Lamp	Duration	Battery Capacity	Insulation Class	Rated Power	Supply Voltage	Box Quantity	Weight (kg)
Non-Maintained	Internal	9-70 Volt	Emergency 60dk.	3.6v/1600mAh	II	2,5W	230 Vac	1	0,30
Non-Maintained	Internal	9-70 Volt	Emergency 180dk.	3.6v/3000mAh	II	3,5W	230 Vac	1	0,40

NOTES

